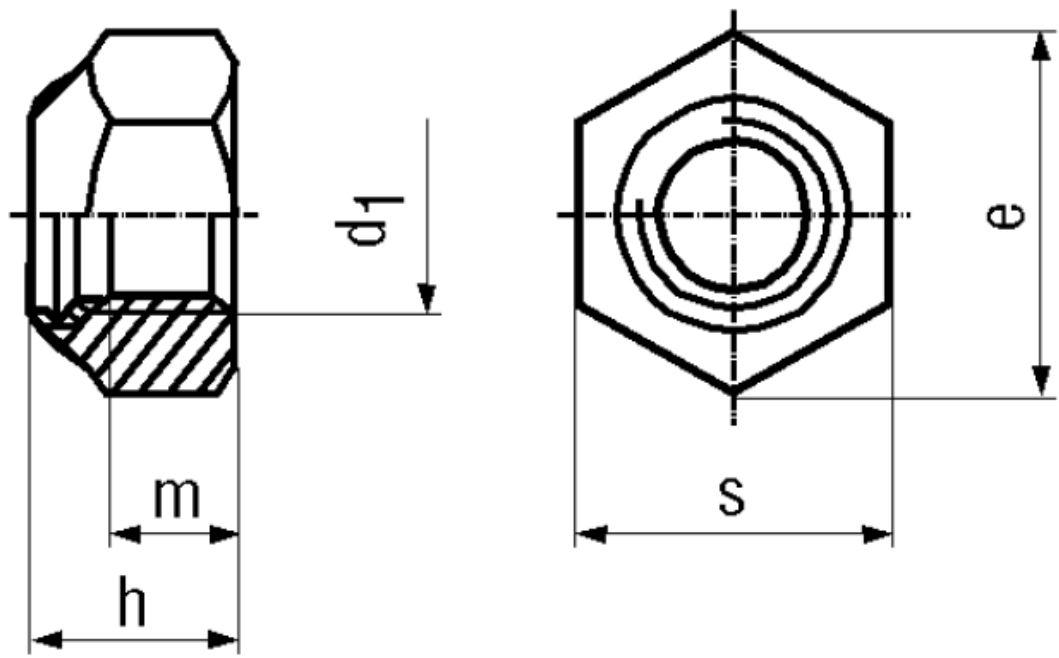


BN 1722 - DIN 985

Prevailing torque type hexagon lock nuts
low type, with polyamide insert

DIN 985
~UNI 7474



Material	Stainless steel	Quality	A4
----------	------------------------	---------	-----------

Article No. - 1397184

d_1	M4
e min.	7,66
h max.	5
m	2,9
s	7

DIN 985: Standard withdrawn

Wrench size according to ISO on request.