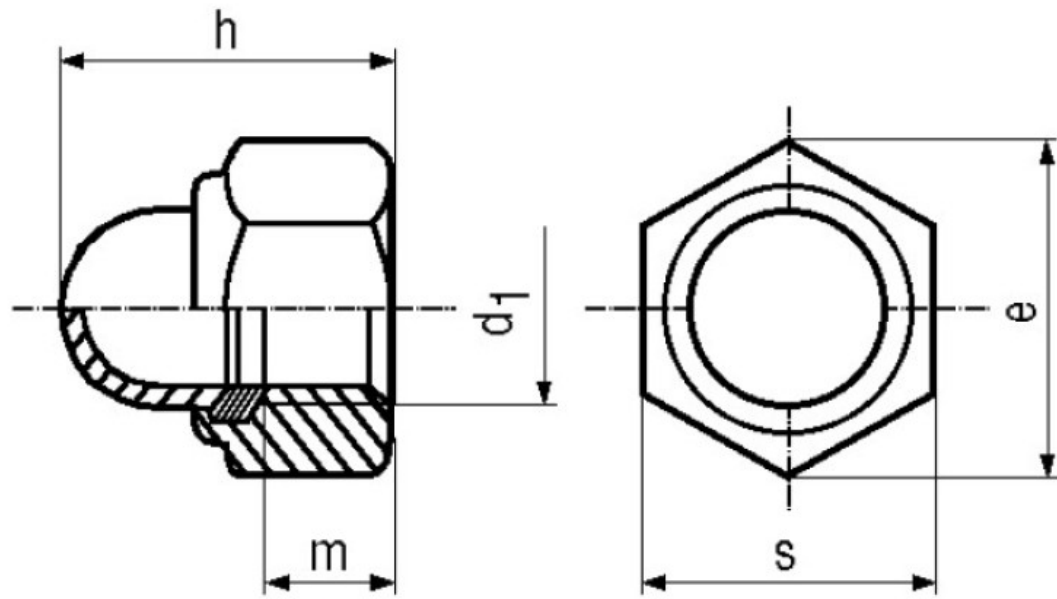


BN 167 - DIN 986

Prevailing torque type hexagon
domed cap nuts
with polyamide insert

DIN 986
~UNI 5722



Material	Steel	Quality	cl. 6
Surface	zinc plated blue		

Article No. - 1095447

d_1	M4
e min.	7,66
s	7
m	2,9
h	9,6