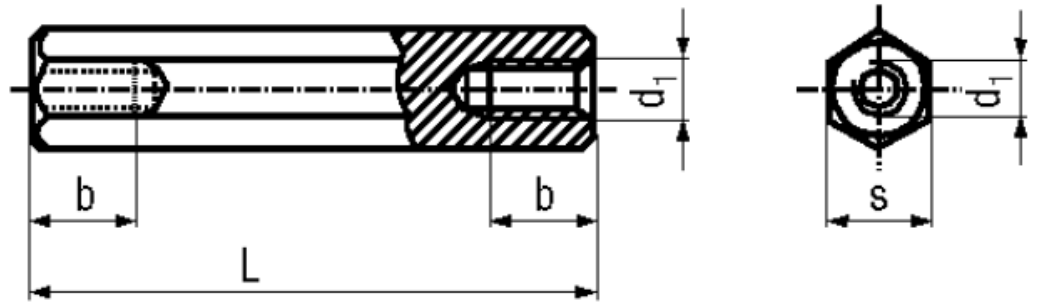


BN 3320

Hexagon stand-offs
with internal thread on both sides



Material **Brass** Surface **nickel plated**

Article No. - 1380273	
d ₁	M3
L	5
b	*
s	5,5