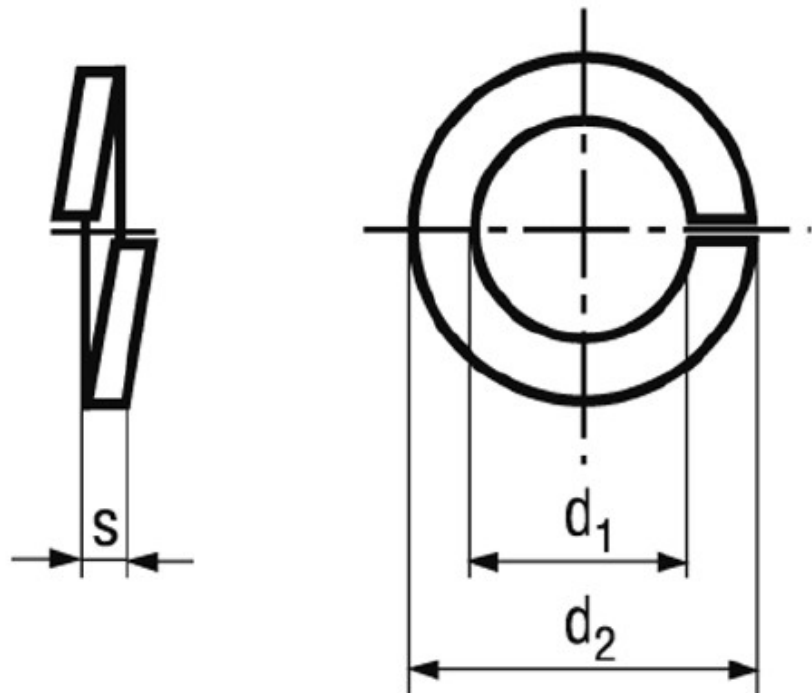


## BN 5258 - DIN 7980

Helical spring lock washers  
for screws with cylindrical head

DIN 7980



Material	Stainless steel	Quality	A2
----------	-----------------	---------	----

### Article No. - 3062113

for thread	M3
$d_1$ min.	3,1
$d_1$ max.	3,4
$d_2$ max.	5,6
s	1

DIN 7980: Standard abolished