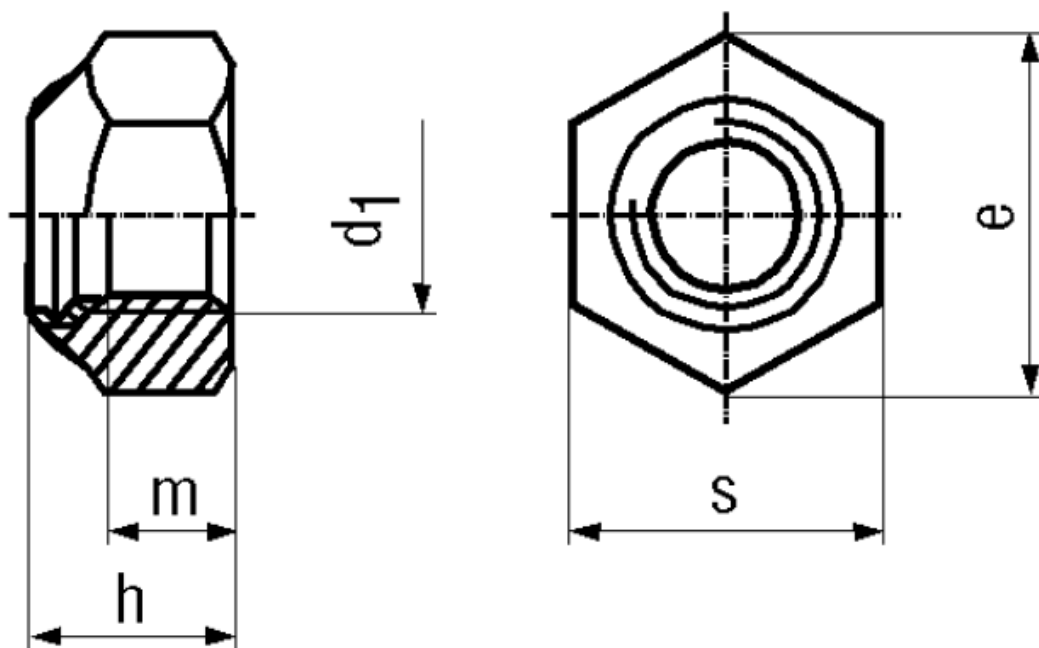


## BN 161 - DIN 985 - ~ISO 10511

Prevailing torque type hexagon lock nuts  
 low type, with polyamide insert

DIN 985  
 ~ISO 10511  
 ~UNI 7474



Material	<b>Steel</b>	Quality	<b>Cl. 6</b>
Surface	<b>zinc plated blue</b>		

Article No. - 1094904	
d <sub>1</sub>	M3
e min.	6,01
h max.	4
m	2,4
s	5,5

DIN 985: Standard withdrawn  
 Property class: At manufacturer's option.