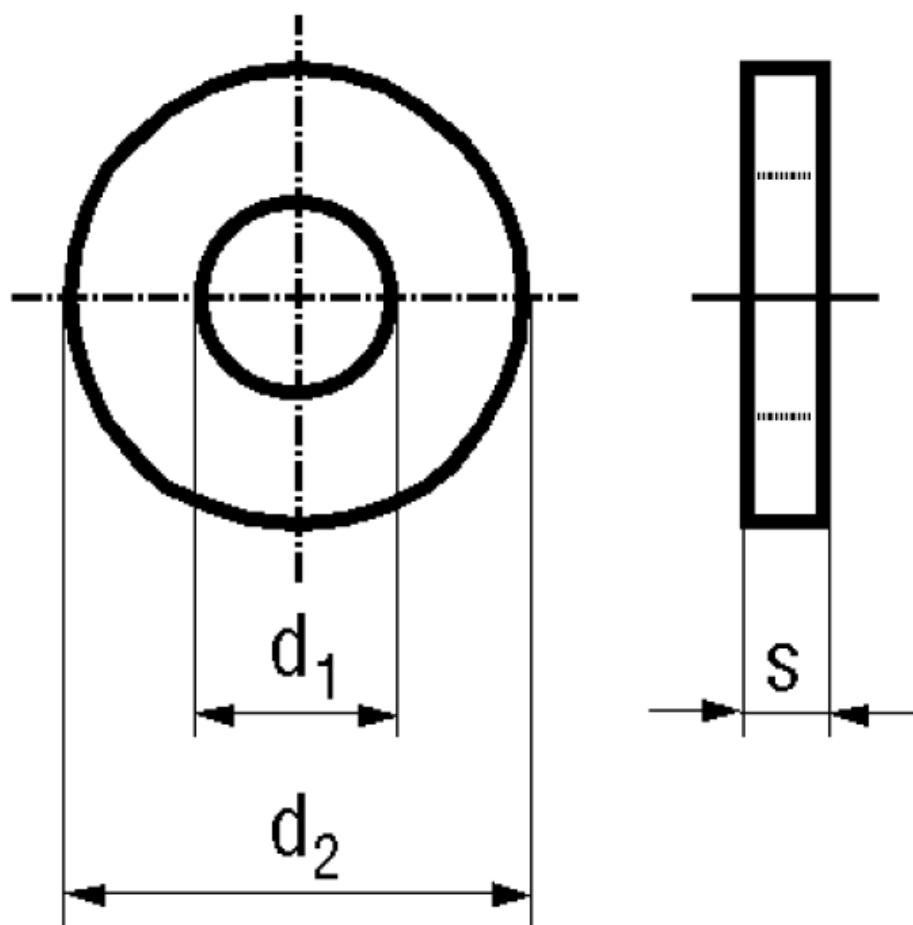


BN 13289 - DIN 7349

Flat washers
without chamfer, for bolts with heavy
duty type spring pins

DIN 7349



Material	Stainless steel	Quality	A2
----------	-----------------	---------	----

Article No. - 3062093

fit for	M3
d_1	3,2
d_2	9
s	1