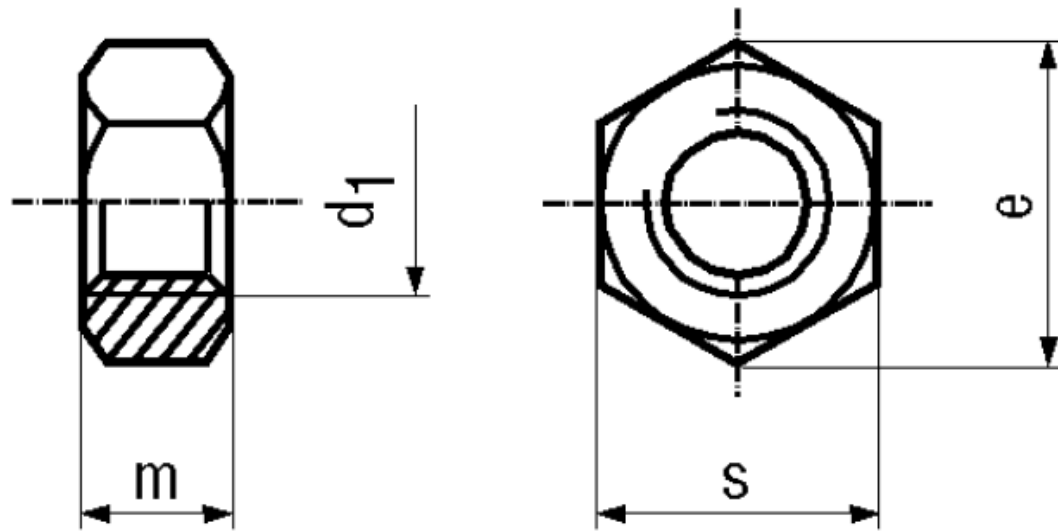


BN 115 - DIN 934 - ~ISO 4032

Hexagon nuts ~0,8d

DIN 934
~ISO 4032
~UNI 5588



Material	Steel	Quality	cl. 8
Surface	plain		

Article No. - 1088998

d_1	M3
e min.	6,01
s	5,5
m max.	2,4

DIN 934: Standard withdrawn
M10; M12; M14: new WAFs according to ISO 272.