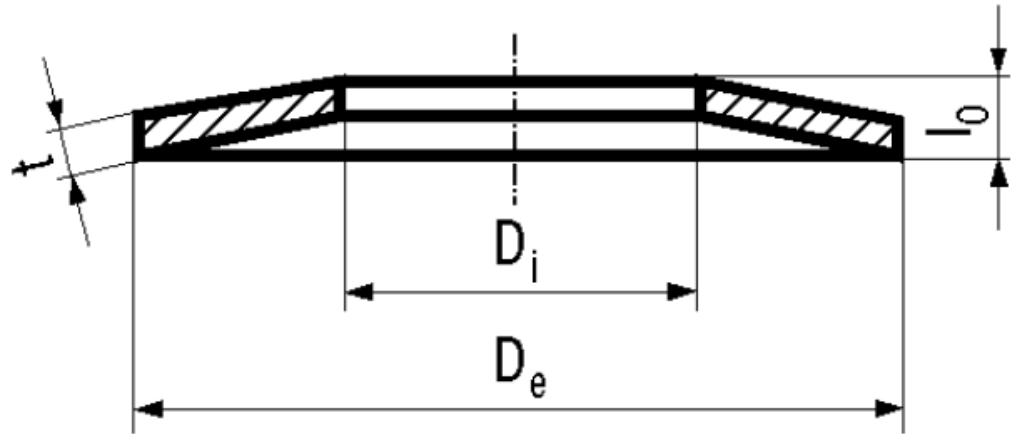


## BN 806

Disc springs  
works standard



Material	Spring steel	Hardness	42-52 HRC
Surface	phosphated and lubricated		

### Article No. - 1283103

De	34
Di	14,2
t (t')	1,25
lo	2,4
0,5 $h_0$	1543 N
0,75 $h_0$	1989 N
0,9 $h_0$	2206 N

$$h_0 = l_0 - t$$

Disc springs thickness more than 6mm, with bearing surface and reduced thickness (t').