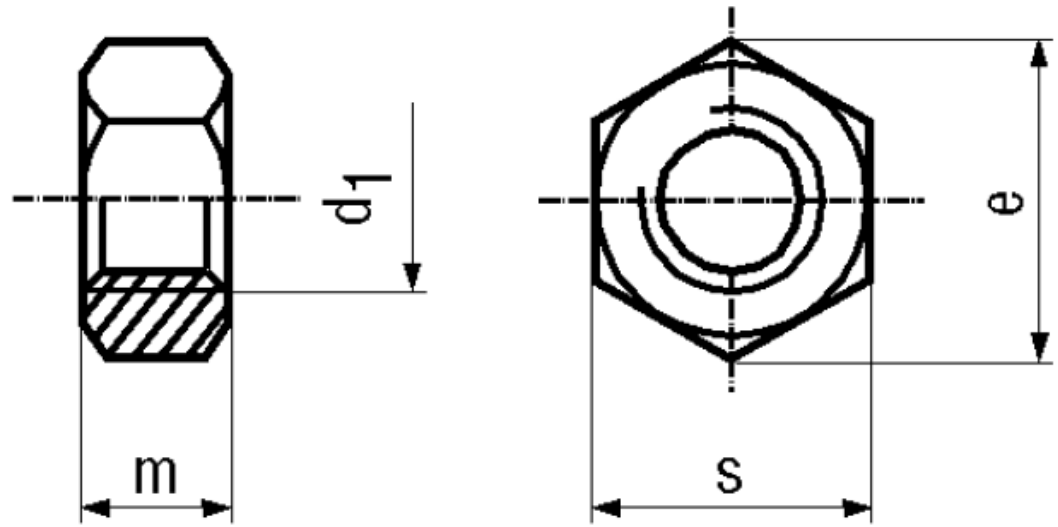


BN 505 - DIN 934 - ~ISO 4032

Hexagon nuts ~0,8d

DIN 934
~ISO 4032
~UNI 5588



Material Surface

Article No. - 1195395	
d_1	(M3,5)
e min.	6,58
s	6
m max.	2,8

DIN 934: Standard withdrawn
Wrench size according to ISO on request.