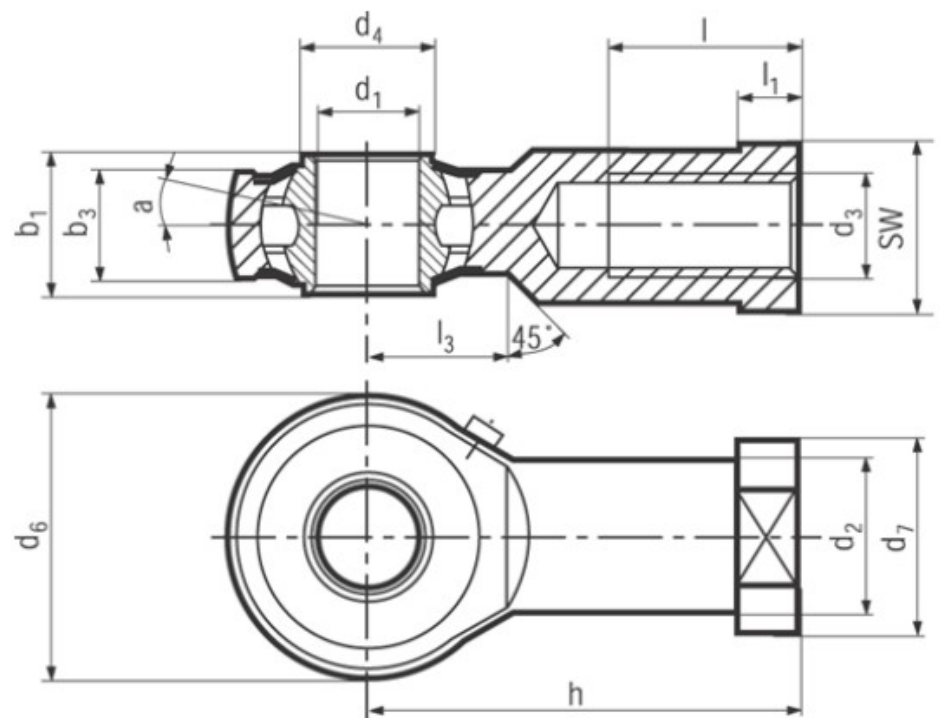


BN 329

Rod ends
with integral self-aligning roller
bearing
Right hand thread

ISO 12240-4 K



Trade mark	Durbal	Material	Steel
Type	BRTF	Surface	zinc plated

Article No. - 1082760

d ₁	25
d ₂	30
d ₃	M24x2
d ₄	29,5
d ₆	64
d ₇	35
b ₁	31
b ₃	22
h	94
l	42
l ₁	10
l ₃	32
SW	30
n	600
Load pin	24900
Load pin	18500