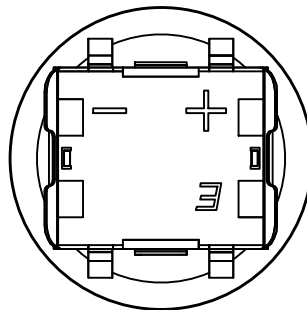
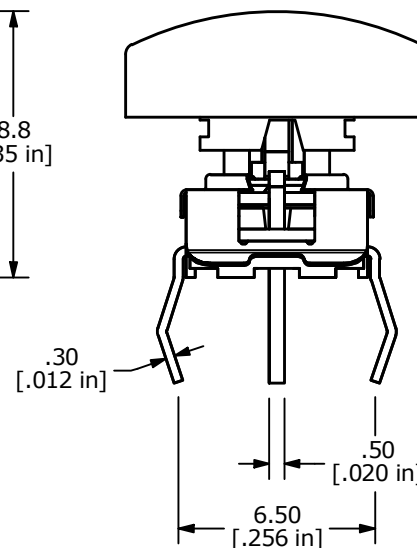
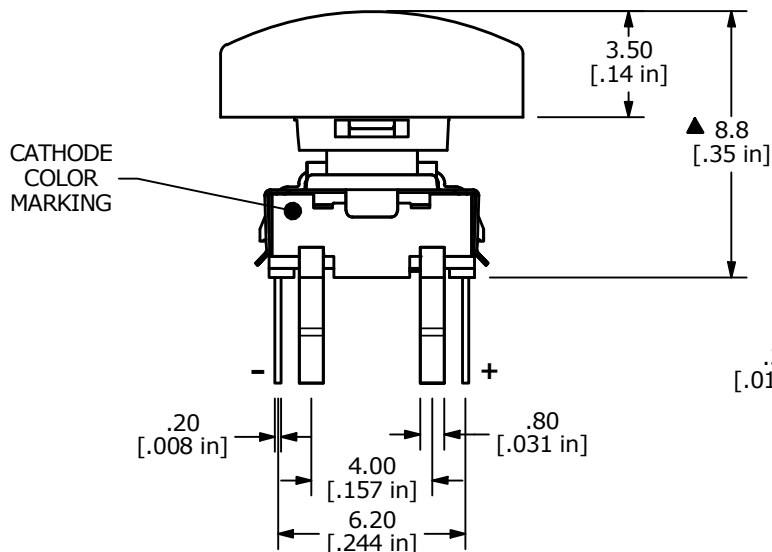
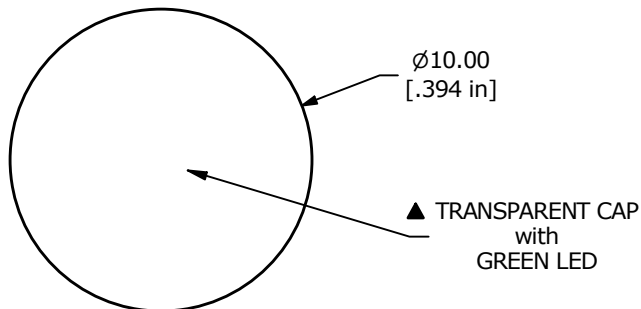


▲ CIRCUIT: SPST

- NOTES:
1. ALL DIMENSIONS IN MM [INCH]
  2. GENERAL TOLERANCE: X.X = ±0.4  
X.XX = ±0.25
  3. RATING: 12VDC @ 50mA
  4. CONTACT RESISTANCE: 100mΩ MAX.
  5. INSULATION RESISTANCE: 100MΩ MIN @ 500VDC.
  - ▲ 6. OPERATING FORCE: 200 ± 80gf
  7. TRAVEL: 0.45 ± 0.15mm
  8. OPERATING TEMPERATURE: -40°C to 85°C
  9. OPERATING LIFE: 500,000 CYCLES
  - ▲ 10. LED COLOR: GREEN
  11. IP67 RATED
  12. ▲ DENOTES CRITICAL PARAMETERS



▲ LED Specifications

LED Color	Forward Current (mA)	Forward Voltage (V @ 20mA)	Luminous Intensity (mcd)
GREEN	20	2.1 typ - 2.5 max	50 typ



B	24369	update print	6/29/20	MW
A	21759	New Release	1/12/15	rc
REV	PCR NO	DESCRIPTION	DATE	BY

TITLE TL6215VF200GBT				
SCALE 4:1	DATE 1/12/2015	DR rc	DWG B200626	REV B

THE INFORMATION CONTAINED IN THIS DOCUMENT IS PROPRIETARY TO E-SWITCH AND IS NOT TO BE COPIED OR TRANSFERRED