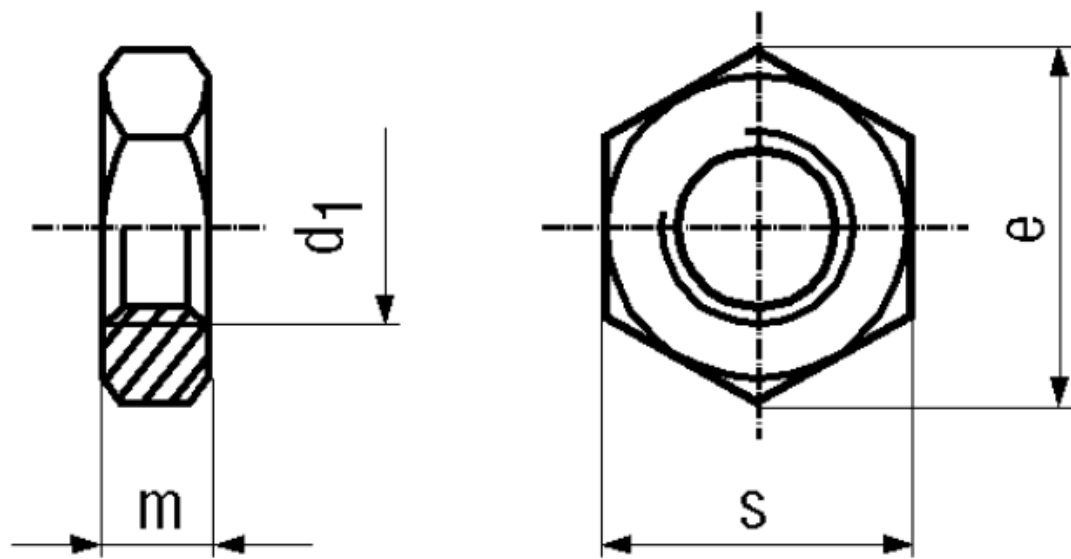


## BN 508 - DIN 439 B - ~ISO 4035

Hexagon nuts ~0,5d

DIN 439 B  
~ISO 4035  
~UNI 5589



Material  Surface

### Article No. - 1440012

$d_1$	M2,5
e min.	5,45
s	5
m max.	1,6

DIN 439: Standard withdrawn

M7: Not included in DIN 439.

Wrench size according to ISO on request.