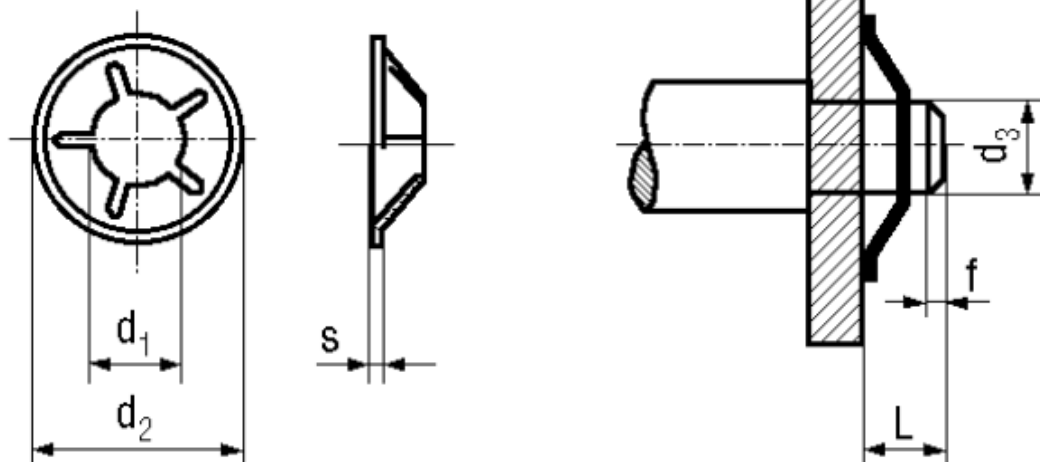


BN 833

Circlips
for shaft without groove



Trade mark	Quicklock®	Material	Spring steel
Type	BQ	Surface	black

Article No. - 1292781	
d_3 h9	1
d_1	0,85
d_2	4
s	0,2
L min.	1,5
L max.	5
f max.	0,2

d_3 : Provided that the stated load is not fully utilized tol. h9 may be replaced by h11.

Number of lock tabs at manufacturer's option..