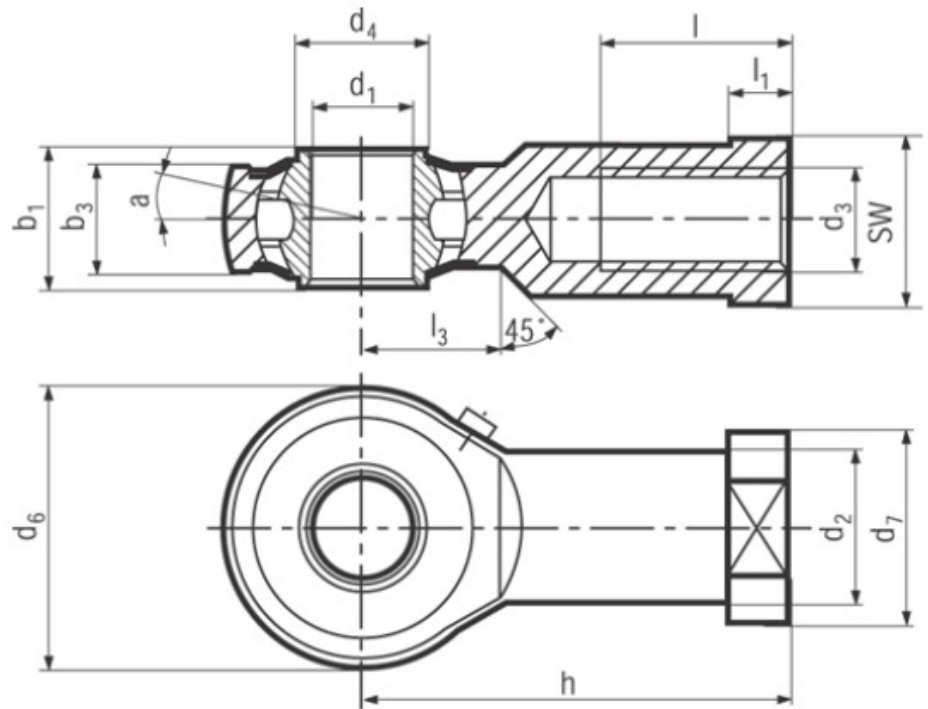


BN 329

Rod ends
with integral self-aligning roller
bearing
Right hand thread

ISO 12240-4 K



Trade mark	Durbal	Material	Steel
Type	BRTF	Surface	zinc plated

Article No. - 1082515

d ₁	16
d ₂	22
d ₃	M16
d ₄	19
d ₆	42
d ₇	27
b ₁	21
b ₃	15
h	64
l	28
l ₁	8
l ₃	22
SW	22
n	975
Load pin	13300
Load pin	8900