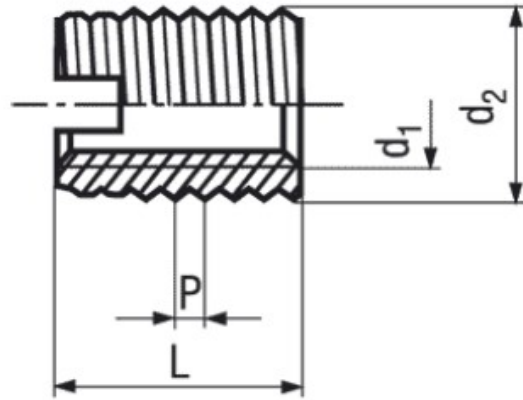


BN 902

Self cutting threaded inserts



Trade mark	Ensate®	Material	Steel case-hardened
Type	302	Surface	zinc plated yellow

Article No. - 1088459

d_1	M12
P	1,5
d_2	16
L	22

Setting tools: BN 1181 / BN 1182