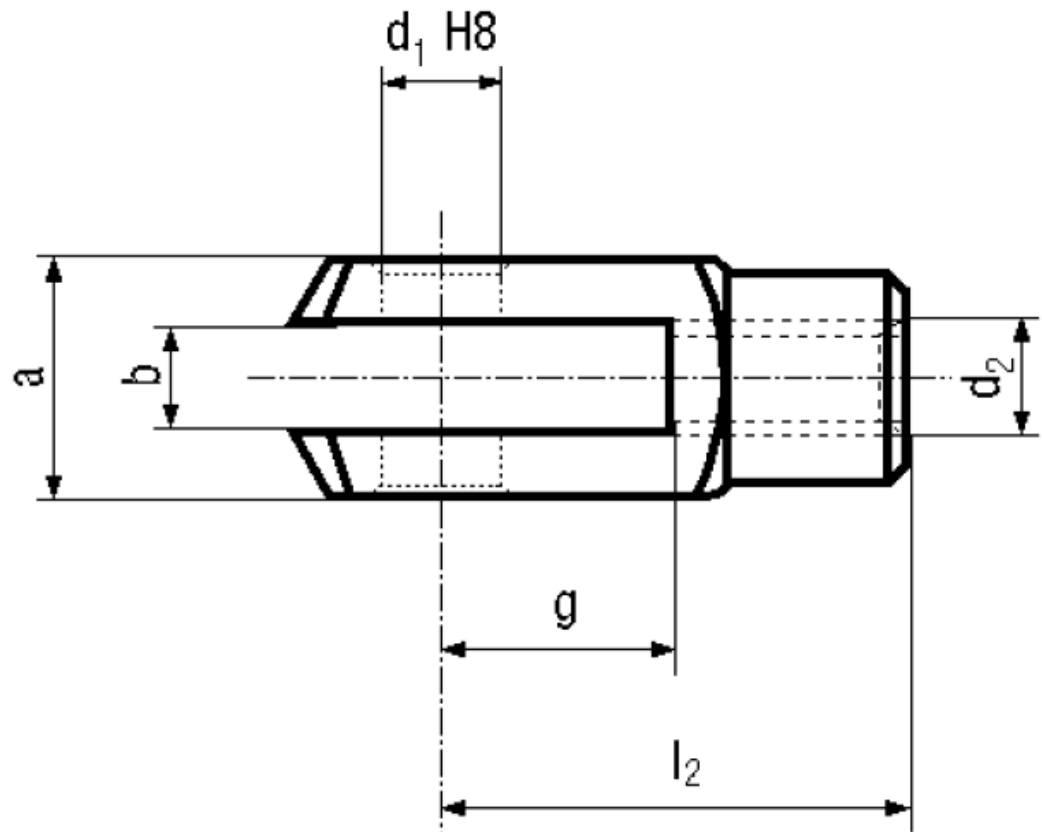


BN 482 - DIN 71752

Fork heads
with metric thread

DIN 71752
~UNI 1676



Material	Free-cutting steel	Quality	9 SMn Pb 28K
Surface	zinc plated blue		

Article No. - 1190547	
Size	10x20
d ₁	10
d ₂	M10
a	20
b	10
g	20
l ₂	40