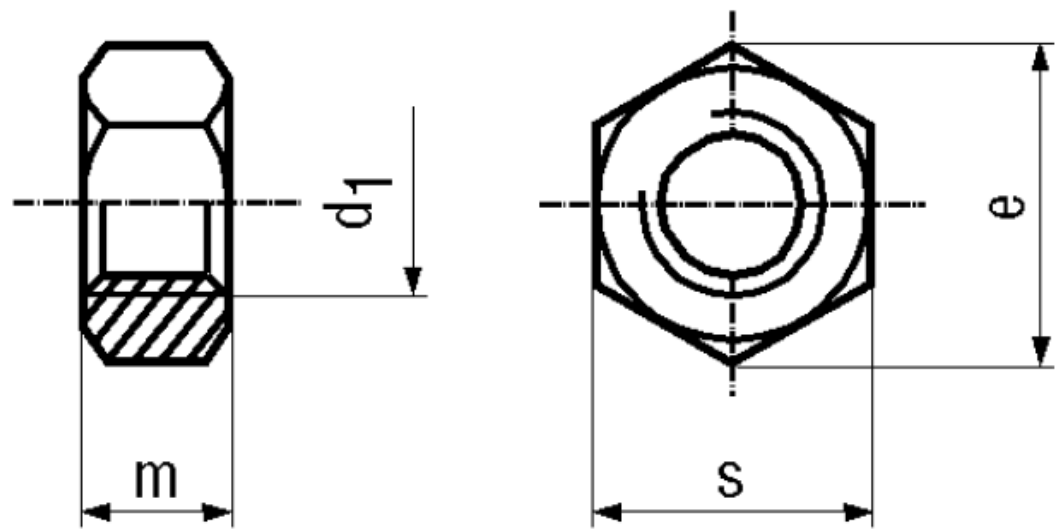


BN 629 - DIN 934 - ~ISO 4032

Hexagon nuts ~0,8d

DIN 934
~ISO 4032
~UNI 5588



Material	Stainless steel	Quality	A4
----------	-----------------	---------	----

Article No. - 1241680

d_1	M10
e min.	18,9
s	17
m max.	8

DIN 934: Standard withdrawn

Hexagon nuts type 1 ISO 4032: BN 5713 / BN 2586