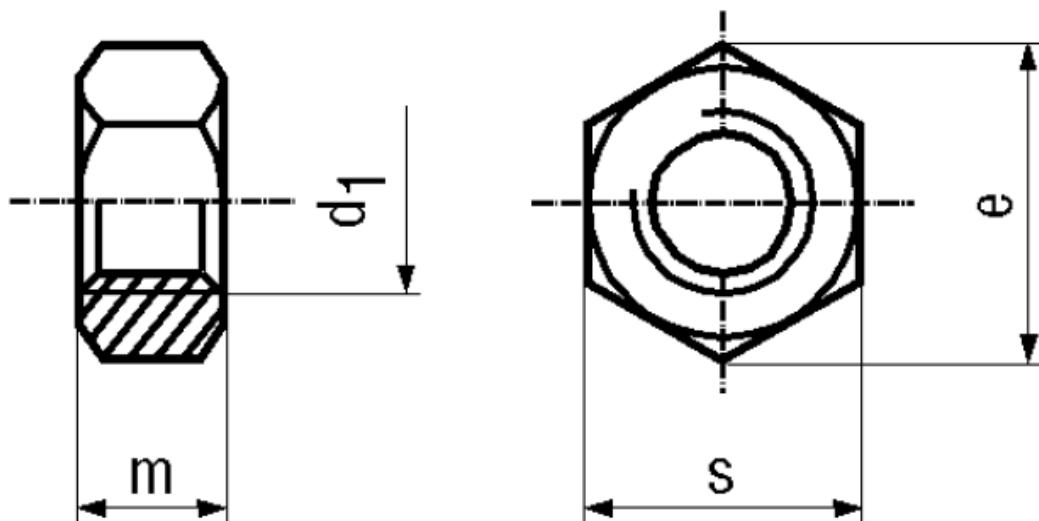


BN 1984 - ~DIN 934 - ISO 4032

Hexagon nuts type 1

~DIN 934
ISO 4032



Material	Steel	Quality	cl. 8
Surface	plain		

Article No. - 2052563

d_1	M10
e min.	17,77
s	16
m max.	8,4