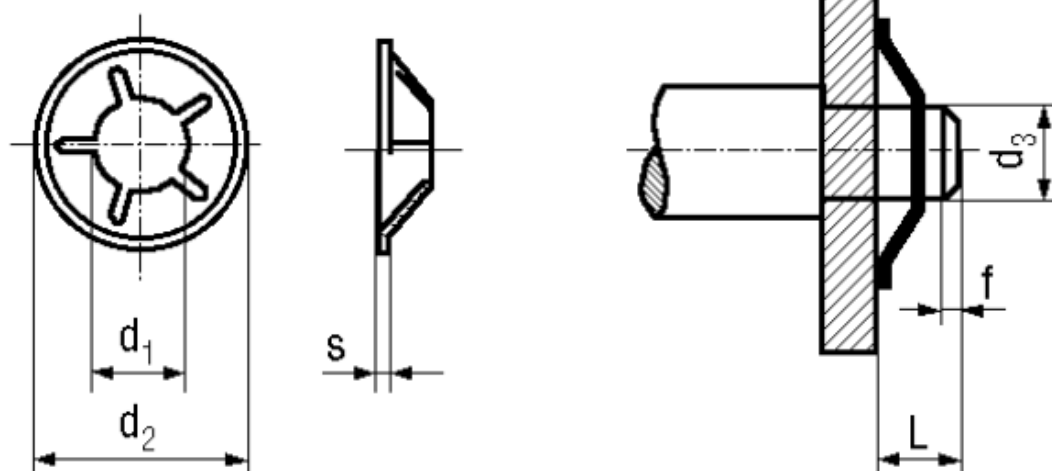


## BN 833

Circlips  
for shaft without groove



|            |            |          |              |
|------------|------------|----------|--------------|
| Trade mark | Quicklock® | Material | Spring steel |
| Type       | BQ         | Surface  | black        |

### Article No. - 1292773

|          |      |
|----------|------|
| $d_3$ h9 | 0,8  |
| $d_1$    | 0,65 |
| $d_2$    | 4    |
| $s$      | 0,2  |
| L min.   | 1,5  |
| L max.   | 5    |
| f max.   | 0,2  |

$d_3$ : Provided that the stated load is not fully utilized tol. h9 may be replaced by h11.

Number of lock tabs at manufacturer's option..