

High-Speed CAN Transceiver with Standby Mode CAN FD Ready

Features

- Fully ISO 11898-2, ISO 11898-5, and SAE J2284 Compliant
- CAN FD Ready
- Communication Speed up to 5 Mbps
- Low Electromagnetic Emission (EME) and High Electromagnetic Immunity (EMI)
- Differential Receiver with Wide Common-Mode Range
- ATA6560: Silent Mode (Receive Only)
- Remote Wake-Up Capability via CAN Bus
- Functional Behavior Predictable under All Supply Conditions
- Transceiver Disengages from the Bus when Not Powered Up
- RXD Recessive Clamping Detection
- High Electrostatic Discharge (ESD) Handling Capability on the Bus Pins
- Bus Pins Protected Against Transients in Automotive Environments
- Transmit Data (TXD) Dominant Time-Out Function
- Undervoltage Detection on VCC and VIO Pins
- CANH/CANL Short-Circuit and Overtemperature Protected
- Qualified According to AEC-Q100: Only ATA6560-GAQW, ATA6560-GBQW, ATA6561-GAQW, and ATA6561-GBQW
- Packages: SOIC8, VDFN8 with Wettable Flanks (Moisture Sensitivity Level 1)

Applications

Classical CAN and CAN FD networks in the following applications:

- Automotive
- Industrial
- Aerospace
- Medical
- Consumer

General Description

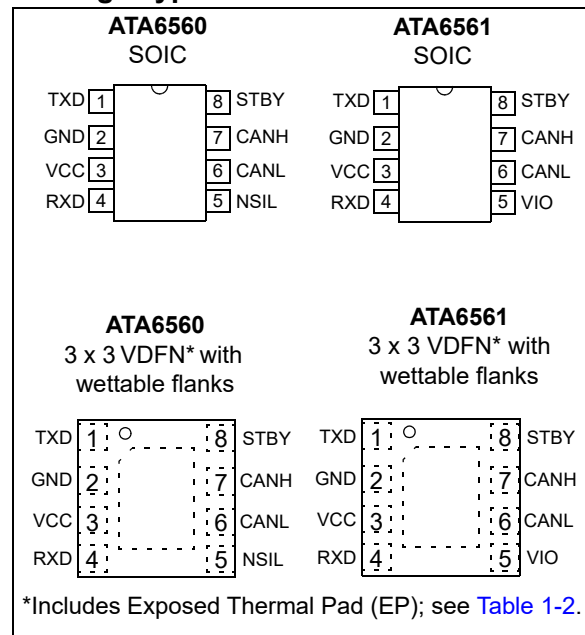
The ATA6560/1 is a high-speed CAN transceiver that provides an interface between a Controller Area Network (CAN) protocol controller and the physical two-wire CAN bus. The transceiver is designed for high-speed (up to 5 Mbps) CAN applications in the automotive industry, providing differential transmit and receive capability to (a microcontroller with) a CAN protocol controller.

It offers improved Electromagnetic Compatibility (EMC) and ESD performance, as well as features such as:

- Ideal passive behavior to the CAN bus when the supply voltage is off
- Direct interfacing to microcontrollers with supply voltages from 3V to 5V (ATA6561)

Three operating modes, together with the dedicated fail-safe features, make the ATA6560/1 an excellent choice for all types of high-speed CAN networks, especially in nodes requiring a Low-Power mode with wake-up capability via the CAN bus.

Package Types



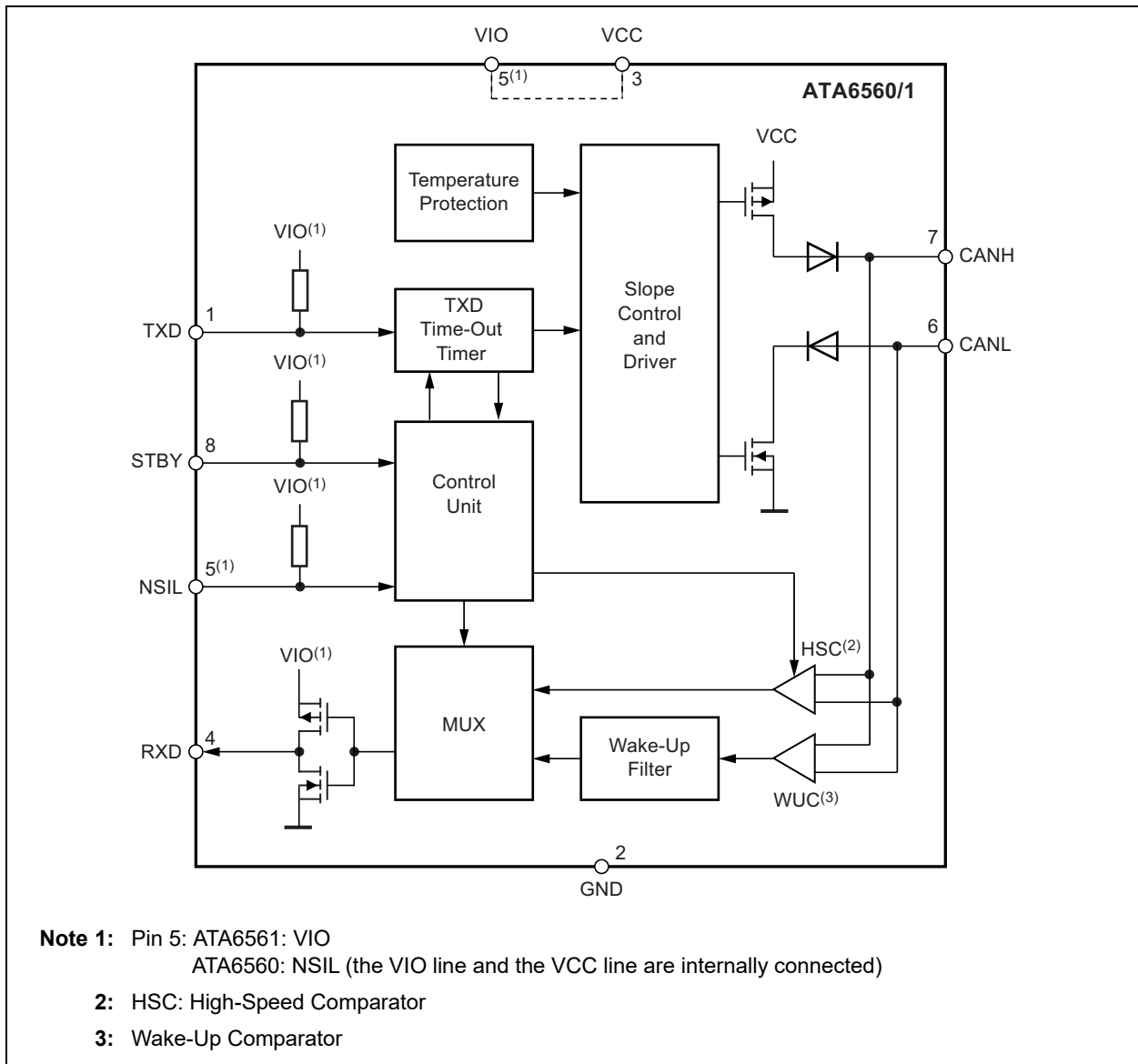
ATA6560/1

ATA6560/1 FAMILY MEMBERS

Device	VIO Pin	NSIL Pin	VDFN8	SOIC8	AEC-Q100 Qualified	Description
ATA6560-GAQW		X		X	X	Standby mode and Silent mode
ATA6560-GBQW		X	X		X	Standby mode and Silent mode
ATA6561-GAQW	X			X	X	Standby mode, VIO - pin for compatibility with 3.3V and 5V microcontroller
ATA6561-GBQW	X		X		X	Standby mode, VIO - pin for compatibility with 3.3V and 5V microcontroller
ATA6560-GAQW-N		X		X		Standby mode and Silent mode
ATA6560-GBQW-N		X	X			Standby mode and Silent mode
ATA6561-GAQW-N	X			X		Standby mode, VIO - pin for compatibility with 3.3V and 5V microcontroller
ATA6561-GBQW-N	X		X			Standby mode, VIO - pin for compatibility with 3.3V and 5V microcontroller

Note: For ordering information, see the [Product Identification System](#) section.

Functional Block Diagram



ATA6560/1

1.0 FUNCTIONAL DESCRIPTION

The ATA6560/1 is a stand-alone, high-speed CAN transceiver, compliant with the ISO 11898-2 and ISO 11898-5 standards. It provides a very low current consumption in Standby mode and wake-up capability via the CAN bus. There are two versions available, only differing in the function of pin 5:

- ATA6560: Pin 5 is the control input for Silent mode NSIL, allowing the ATA6560 to only receive data and not send data via the bus. The output driver stage is disabled. The VIO line and the VCC line are internally connected; this sets the signal levels of the TXD, RXD, STBY, and NSIL pins to levels compatible with 5V microcontrollers.

- ATA6561: Pin 5 is the VIO pin and should be connected to the microcontroller supply voltage. This allows direct interfacing to microcontrollers with supply voltages down to 3V and adjusts the signal levels of the TXD, RXD, and STBY pins to the I/O levels of the microcontroller. The I/O ports are supplied by the VIO pin.

1.1 Operating Modes

The ATA6561 supports three operating modes: Unpowered, Standby, and Normal. The ATA6560 has an additional Silent mode. These modes can be selected via the STBY and NSIL pin. See Figure 1-1 and Table 1-1 for a description of the operating modes.

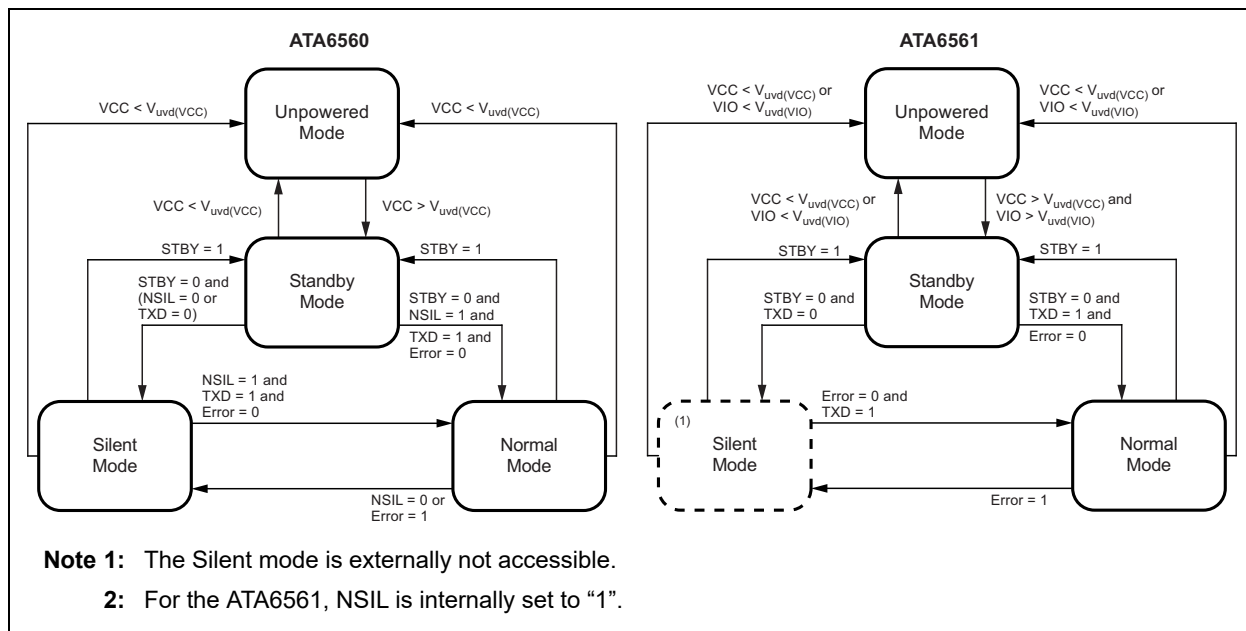


FIGURE 1-1: Operating Modes.

TABLE 1-1: OPERATING MODES

Mode	Inputs			Outputs	
	STBY	NSIL	TXD	CAN Driver	RXD
Unpowered	X ⁽³⁾	X ⁽³⁾	X ⁽³⁾	Recessive	Recessive
Standby	HIGH	X ⁽³⁾	X ⁽³⁾	Recessive	Active ⁽⁴⁾
Silent (only for ATA6560)	LOW	LOW	X ⁽³⁾	Recessive	Active ⁽¹⁾
Normal	LOW	HIGH ⁽²⁾	LOW	Dominant	LOW
	LOW	HIGH ⁽²⁾	HIGH	Recessive	HIGH

- Note 1:** LOW if the CAN bus is dominant, and HIGH if the CAN bus is recessive.
Note 2: Internally pulled up if not bonded out.
Note 3: Irrelevant.
Note 4: Reflects the bus only for wake-up.

1.1.1 NORMAL MODE

A low level on the STBY pin, together with a high level on pins TXD and NSIL, selects the Normal mode. In this mode, the transceiver can transmit and receive data via the CANH and CANL bus lines (see the “**Functional Block Diagram**”). The output driver stage is active and drives data from the TXD input to the CAN bus. The High-Speed Comparator (HSC) converts the analog data on the bus lines into digital data, which is output to pin RXD. The bus biasing is set to $V_{CC}/2$, and the undervoltage monitoring of VCC is active.

The slope of the output signals on the bus lines is controlled and optimized to ensure the lowest possible EME.

To switch the device to a normal operating mode, set the STBY pin to low and the TXD and NSIL pins (if applicable) to high (see [Table 1-1](#), [Figure 1-2](#), and [Figure 1-3](#)). Both the STBY and the NSIL pins provide a pull-up resistor to VIO, thus ensuring defined levels if the pins are open.

The device cannot enter the Normal mode as long as the TXD is at ground level. ATA6560 only switches to the Normal mode when all inputs are set accordingly.

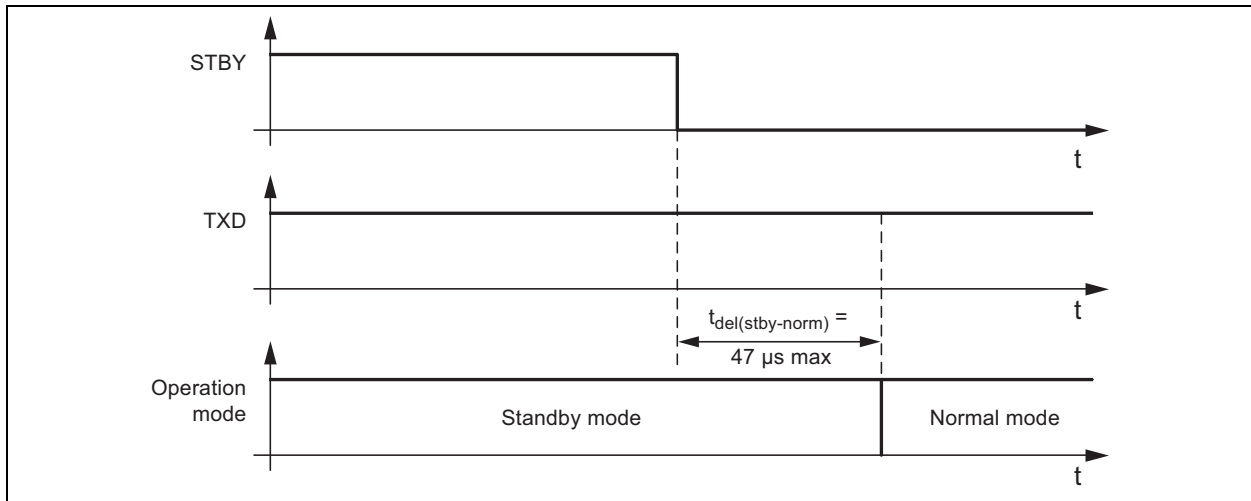


FIGURE 1-2: Switching from Standby Mode to Normal Mode (NSIL = High).

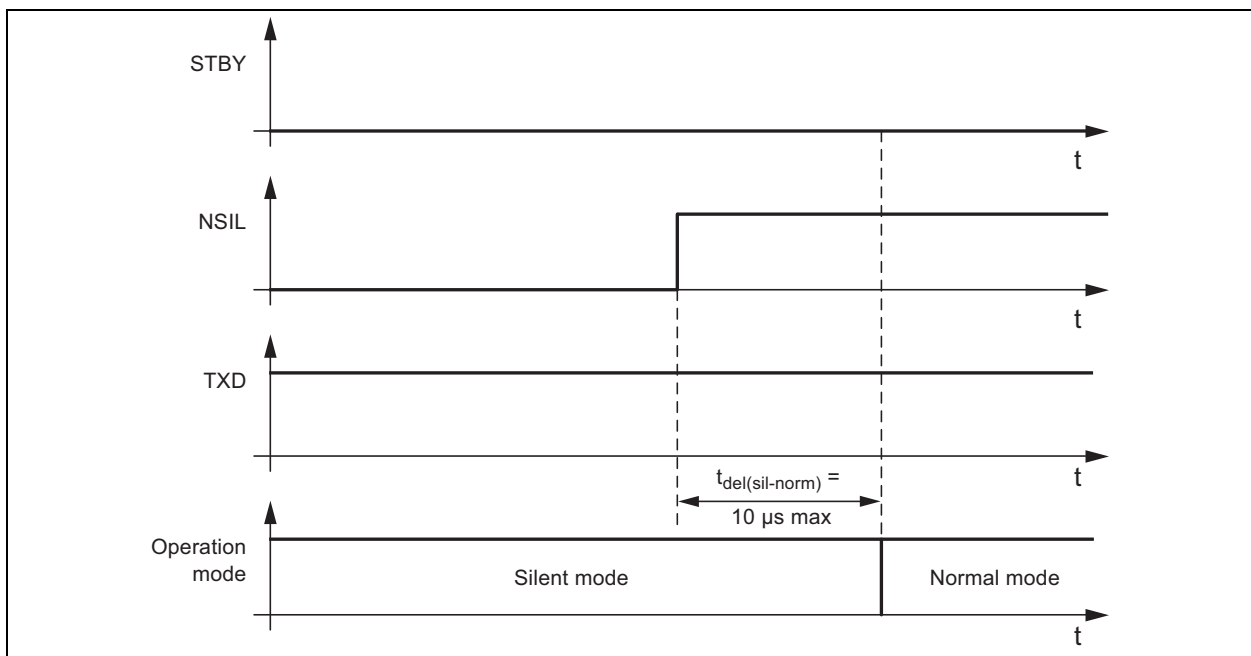


FIGURE 1-3: Switching from Silent Mode to Normal Mode.

ATA6560/1

1.1.2 SILENT MODE (ONLY FOR THE ATA6560)

A low level on the NSIL pin (available on pin 5) and on the STBY pin selects the Silent mode. This receive-only mode can be used to test the connection of the bus medium. In the Silent mode, the ATA6560 can still receive data from the bus, but the transmitter is disabled and therefore no data can be sent to the CAN bus. The bus pins are released to recessive state. All other IC functions, including the HSC, continue to operate as they do in the Normal mode. The Silent mode can be used to prevent a faulty CAN controller from disrupting all network communications.

1.1.3 STANDBY MODE

A high level on the STBY pin selects the Standby mode. In this mode, the transceiver cannot transmit or correctly receive data via the bus lines. The transmitter and the HSC are switched off to reduce current consumption, and only the low-power Wake-Up Comparator (WUC) monitors the bus lines for a valid wake-up signal. A signal change on the bus from “Recessive” to “Dominant,” followed by a dominant state longer than t_{wake} , switches the RXD pin to low to signal a wake-up request to the microcontroller.

In the Standby mode, the bus lines are biased to ground to reduce current consumption to a minimum. The WUC monitors the bus lines for a valid wake-up signal. When the RXD pin switches to low to signal a wake-up request, a transition to the Normal mode is not triggered until the microcontroller forces back the STBY pin to low. A bus dominant time-out timer prevents the device from generating a permanent wake-up request by switching the RXD pin to high.

For ATA6560 only: If the NSIL input pin is set to low in the Standby mode, the internal pull-up resistor causes an additional quiescent current from VIO to GND. Microchip recommends setting the NSIL pin to high in the Standby mode.

1.2 Fail-Safe Features

1.2.1 TXD DOMINANT TIME-OUT FUNCTION

A TXD dominant time-out timer is started when the TXD pin is set to low. If the low state on the TXD pin persists for longer than $t_{to(dom)TXD}$, the transmitter is disabled, releasing the bus lines to a recessive state. This function prevents a hardware failure, software application failure, or both from driving the bus lines to a permanent dominant state (blocking all network communications). The TXD dominant time-out timer is reset when the TXD pin is set to high ($\geq 4 \mu s$).

1.2.2 INTERNAL PULL-UP STRUCTURE AT TXD, NSIL, AND STBY INPUT PINS

The TXD, STBY, and NSIL pins have an internal pull-up to VIO. This ensures a safe, defined state in case one or all of these pins are left floating. Pull-up currents flow in these pins in all states, meaning all pins should be in a high state during the Standby mode to minimize the current consumption.

1.2.3 UNDERVOLTAGE DETECTION ON PINS VCC AND VIO

If V_{VCC} or V_{VIO} drops below their respective undervoltage detection levels ($V_{uvd(VCC)}$ and $V_{uvd(VIO)}$; see **Section 2.0 “Electrical Characteristics”**), the transceiver switches off and disengages from the bus until V_{VCC} and V_{VIO} have recovered. The low-power WUC is only switched off during a VCC or VIO undervoltage. The logic state of the STBY pin is ignored until the VCC voltage or the VIO voltage has recovered.

1.2.4 BUS WAKE-UP TIME-OUT FUNCTION

In the Standby mode, a bus wake-up time-out timer is started when the CAN bus changes from recessive to dominant state. If the dominant state on the bus persists for longer than t_{to_bus} , the RXD pin is switched to high. This function prevents a clamped dominant bus (due to a bus short circuit or a failure in one of the other nodes on the network) from generating a permanent wake-up request. The bus wake-up time-out timer is reset when the CAN bus changes from dominant to recessive state.

1.2.5 OVERTEMPERATURE PROTECTION

The output drivers are protected against overtemperature conditions. If the junction temperature exceeds the shutdown junction temperature, T_{Jsd} , the output drivers are disabled until the junction temperature drops below T_{Jsd} and pin TXD is at a high level again. The TXD condition ensures that output driver oscillations due to temperature drift are avoided.

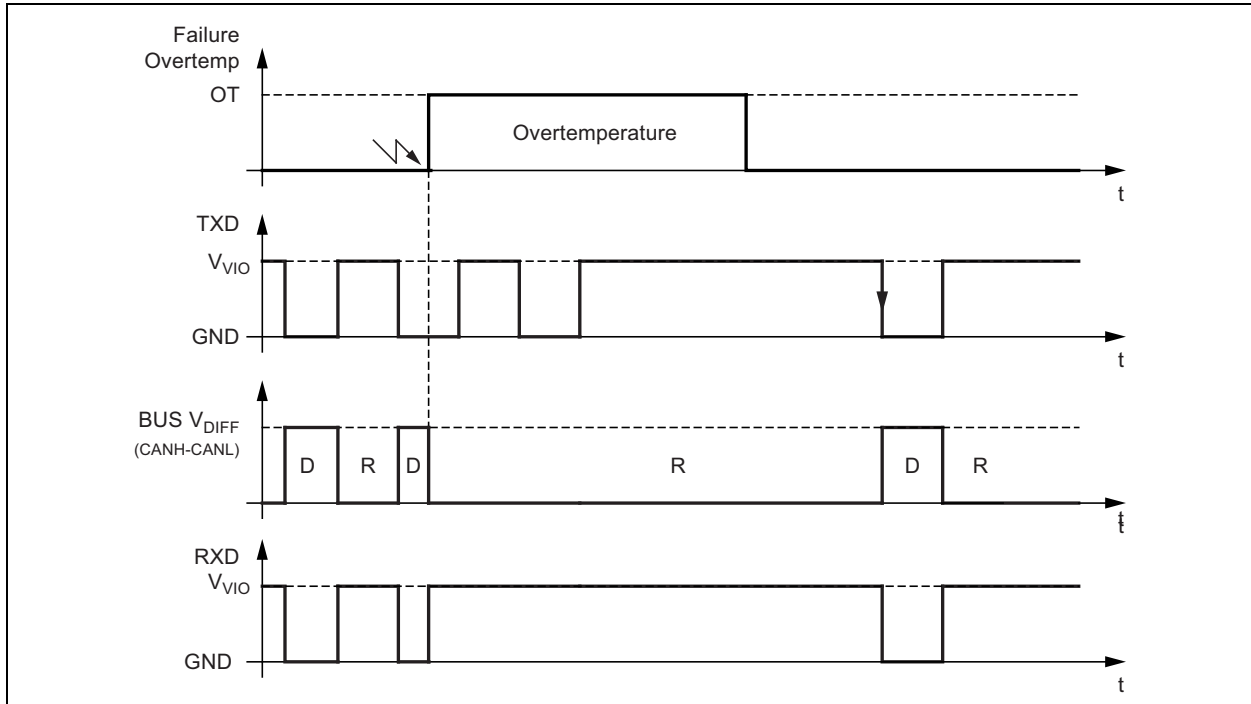


FIGURE 1-4: Release of Transmission After Overtemperature Condition.

1.2.6 SHORT-CIRCUIT PROTECTION OF THE BUS PINS

The CANH and CANL bus outputs are short-circuit protected, either against GND or a positive supply voltage. A current-limiting circuit protects the transceiver against damage. If the device heats up due to a continuous short on CANH or CANL, the internal overtemperature protection switches the bus transmitter off.

1.2.7 RXD RECESSIVE CLAMPING

This fail-safe feature prevents the controller from sending data on the bus if its RXD line is clamped to high (for example, recessive). That is, if the RXD pin cannot signal a dominant bus condition (for example, because it is shorted to VCC), the transmitter within the ATA6560/1 is disabled to avoid possible data collisions on the bus. In Normal and Silent modes (only for the ATA6560), the device permanently compares the state of the HSC to the state of the RXD pin.

If the HSC indicates a dominant bus state for more than t_{RC_det} , without the RXD pin doing the same, a recessive clamping situation is detected and the device is forced into the Silent mode. This Fail-Safe mode is released by entering either the Standby or the Unpowered mode or if the RXD pin is showing a dominant (for example, low) level again.

ATA6560/1

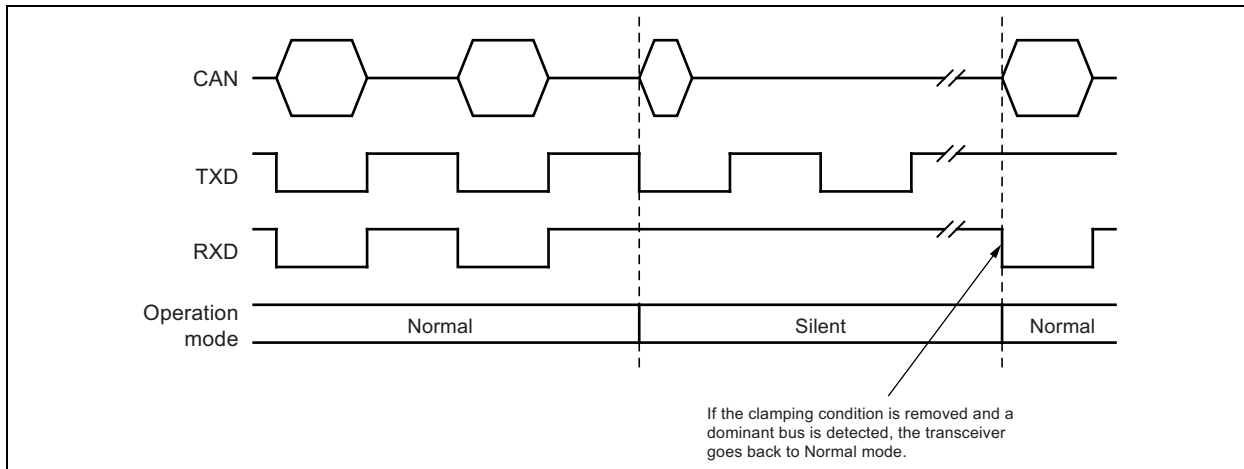


FIGURE 1-5: RXD Recessive Clamping Detection.

1.3 Pin Description

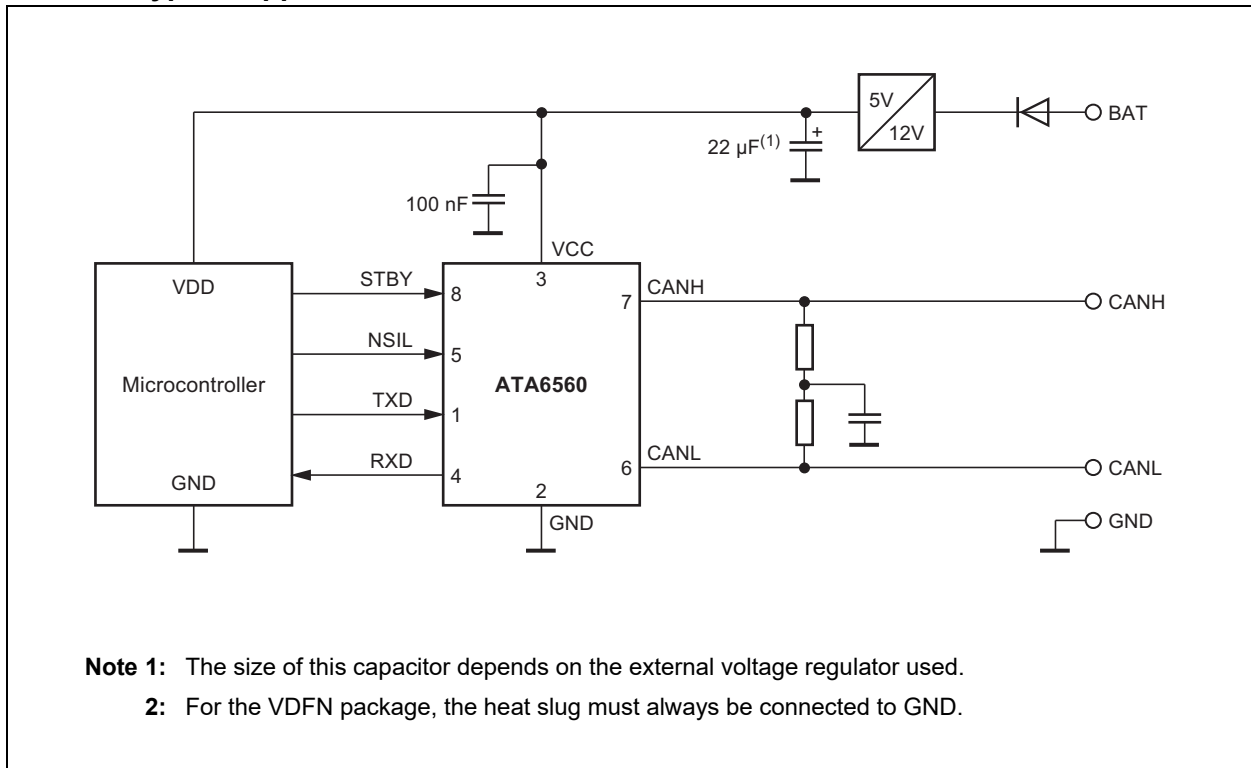
The descriptions of the pins are listed in [Table 1-2](#).

TABLE 1-2: PIN FUNCTION TABLE

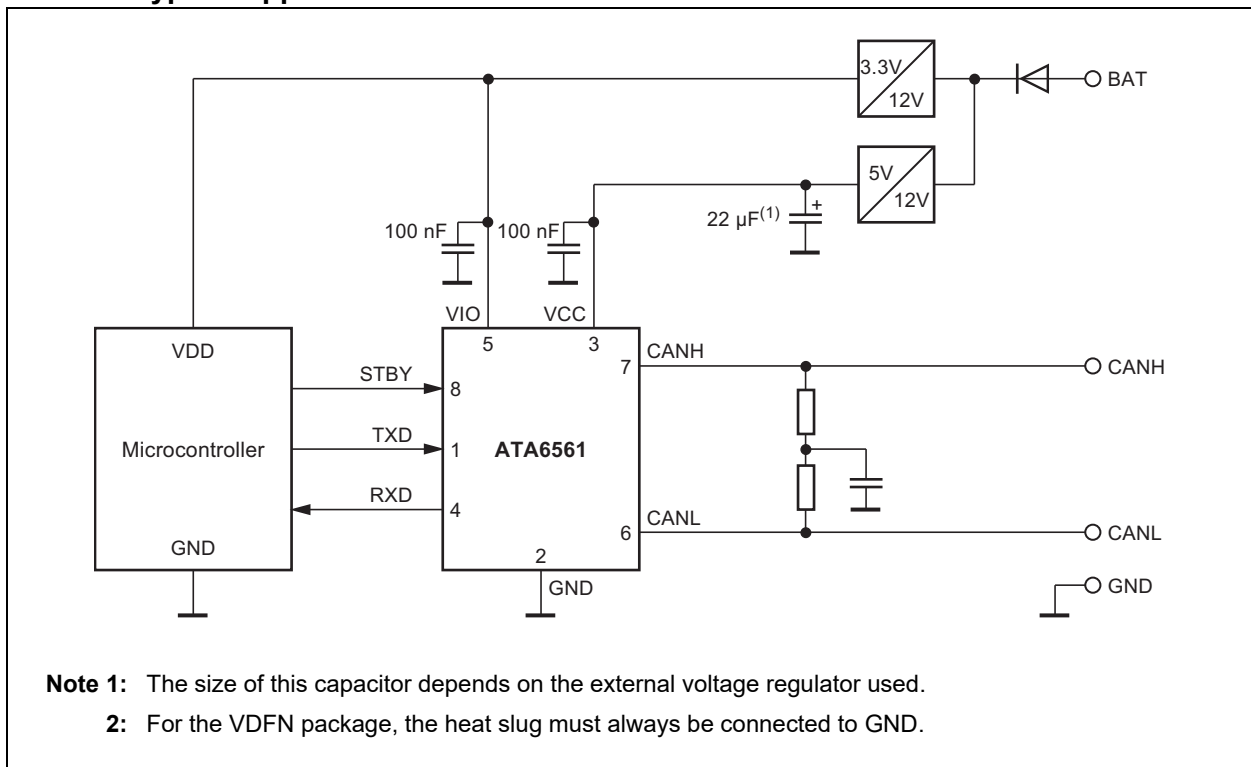
ATA6560		ATA6561		Symbol	Description
SOIC8	VDFN8	SOIC8	VDFN8		
1	1	1	1	TXD	Transmit Data Input
2	2	2	2	GND	Ground Supply
3	3	3	3	VCC	Supply Voltage
4	4	4	4	RXD	Receive Data Output; reads out data from the bus lines
—	—	5	5	VIO	Supply Voltage for the I/O Level Adapter; the VIO and VCC lines are internally connected
5	5	—	—	NSIL	Silent Mode Control Input (low active)
6	6	6	6	CANL	Low-Level CAN Bus Line
7	7	7	7	CANH	High-Level CAN Bus Line
8	8	8	8	STBY	Standby Mode Control Input
—	9	—	9	EP	Exposed Thermal Pad; heat slug, internally connected to the GND pin

1.4 Typical Application

ATA6560 Typical Application



ATA6561 Typical Application



ATA6560/1

2.0 ELECTRICAL CHARACTERISTICS

Absolute Maximum Ratings †

DC Voltage at CANH, CANL (V_{CANH} , V_{CANL})	-27 to +42V
Transient Voltage at CANH, CANL (according to ISO 7637 part 2) (V_{CANH} , V_{CANL})	-150 to +100V
DC Voltage on all other pins (V_X)	-0.3 to +5.5V
ESD according to IBEE CAN EMC - Test specification following IEC 61000-4-2 — Pin CANH, CANL	±8 kV
ESD (HBM following STM5.1 with 1.5 kΩ/100 pF) - Pins CANH, CANL to GND	±6 kV
Component-Level ESD (HBM according to ANSI/ESD STM5.1, JESD22-A114, AEC-Q100 (002)	±4 kV
CDM ESD STM 5.3.1	±750V
ESD Machine Model AEC-Q100-RevF(003)	±200V
Virtual Junction Temperature (T_{VJ})	-40 to +150°C
Storage Temperature Range (T_{stg})	-55 to +150°C

† **Notice:** Stresses above those listed under “Absolute Maximum Ratings” may cause permanent damage to the device. This is a stress rating only and functional operation of the device at these or any other conditions above those indicated in the operation listings of this specification is not implied. Exposure to maximum rating conditions for extended periods may affect device reliability.

ATA6560/1 ELECTRICAL CHARACTERISTICS

Electrical Specifications: $T_{VJ} = -40^{\circ}\text{C}$ to $+150^{\circ}\text{C}$; $V_{VCC} = 4.5\text{V}$ to 5.5V ; $V_{VIO} = 2.8\text{V}$ to 5.5V ; $R_L = 60\Omega$, $C_L = 100\text{pF}$, unless otherwise; all voltages are defined in relation to ground; positive currents flow into the IC.

Parameters	Sym.	Min.	Typ.	Max.	Units	Conditions
Supply, Pin VCC						
Supply Voltage	V_{VCC}	4.5	—	5.5	V	
Supply Current in Silent Mode	I_{VCC_sil}	1.9	2.5	3.0	mA	Silent mode, $V_{TXD} = V_{VIO}$
Supply Current in Normal Mode	I_{VCC_rec}	2	—	5	mA	Recessive, $V_{TXD} = V_{VIO}$
	I_{VCC_dom}	20	50	70	mA	Dominant, $V_{TXD} = 0\text{V}$
Supply Current in Standby Mode	I_{VCC_STBY}	—	—	12	μA	$V_{VCC} = V_{VIO}$, $V_{TXD} = V_{NSIL} = V_{VIO}$
	I_{VCC_STBY}	—	7	—	μA	$T_a = +25^{\circ}\text{C}$ (Note 3)
Undervoltage Detection Threshold on Pin VCC	$V_{uvd(VCC)}$	2.75	—	4.5	V	
I/O Level Adapter Supply, Pin VIO (only for the ATA6561)						
Supply Voltage on Pin VIO	V_{VIO}	2.8	—	5.5	V	
Supply Current on Pin VIO	I_{IO_rec}	10	80	250	μA	Normal and Silent modes Recessive, $V_{TXD} = V_{VIO}$
	I_{IO_rdom}	50	350	500	μA	Normal and Silent modes Dominant, $V_{TXD} = 0\text{V}$
	I_{IO_STBY}	—	—	1	μA	Standby mode
Undervoltage Detection Threshold on Pin VIO	$V_{uvd(VIO)}$	1.3	—	2.7	V	

- Note 1:** This parameter is 100% correlation tested.
Note 2: This parameter is ensured by characterization on samples.
Note 3: This parameter is ensured by design.

ATA6560/1 ELECTRICAL CHARACTERISTICS (CONTINUED)

Electrical Specifications: $T_{VJ} = -40^{\circ}\text{C}$ to $+150^{\circ}\text{C}$; $V_{VCC} = 4.5\text{V}$ to 5.5V ; $V_{VIO} = 2.8\text{V}$ to 5.5V ; $R_L = 60\Omega$, $C_L = 100\text{pF}$, unless otherwise; all voltages are defined in relation to ground; positive currents flow into the IC.

Parameters	Sym.	Min.	Typ.	Max.	Units	Conditions
Mode Control Input, Pin NSIL and STBY						
High-Level Input Voltage	V_{IH}	$0.7 \times V_{VIO}$	—	$V_{VIO} + 0.3$	V	
Low-Level Input Voltage	V_{IL}	-0.3	—	$0.3 \times V_{VIO}$	V	
Pull-Up Resistor to VIO	R_{pu}	75	125	175	k Ω	$V_{STBY} = 0\text{V}$, $V_{NSIL} = 0\text{V}$
High-Level Leakage Current	I_L	-2	—	+2	μA	$V_{STBY} = V_{VIO}$, $V_{NSIL} = V_{VIO}$
CAN Transmit Data Input, Pin TXD						
High-Level Input Voltage	V_{IH}	$0.7 \times V_{VIO}$	—	$V_{VIO} + 0.3$	V	
Low-Level Input Voltage	V_{IL}	-0.3	—	$0.3 \times V_{VIO}$	V	
Pull-Up Resistor to VIO	R_{TXD}	20	35	50	k Ω	$V_{TXD} = 0\text{V}$
High-Level Leakage Current	I_{TXD}	-2	—	+2	μA	Normal mode, $V_{TXD} = V_{VIO}$
Input Capacitance	C_{TXD}	—	5	10	pF	Note 3
CAN Receive Data Output, Pin RXD						
High-Level Output Current	I_{OH}	-8	—	-1	mA	Normal mode, $V_{RXD} = V_{VIO} - 0.4\text{V}$, $V_{VIO} = V_{VCC}$
Low-Level Output Current	I_{OL}	2	—	12	mA	Normal mode, $V_{RXD} = 0.4\text{V}$, bus dominant
Bus Lines, Pins CANH and CANL						
Dominant Output Voltage	I_{IO}	2.75	3.5	4.5	V	$V_{TXD} = 0\text{V}$, $t < t_{to(dom)TXD}$ pin CANH
		0.5	1.5	2.25	V	$V_{TXD} = 0\text{V}$, $t < t_{to(dom)TXD}$ pin CANL
Transmitter Dominant Voltage Symmetry	$V_{dom(TX)sym}$	$0.9 \times V_{VCC}$	—	$1.1 \times V_{VCC}$	V	$V_{dom(TX)sym} = V_{CANH} + V_{CANL}$ (Note 1)
Bus Differential Output Voltage	$V_{O(diff)bus}$	1.5	—	3	V	$V_{TXD} = 0\text{V}$, $t < t_{to(dom)TXD}$ $R_L = 45\Omega$ to 65Ω
		-50	—	+50	mV	$V_{VCC} = 4.75\text{V}$ to 5.25V $V_{TXD} = V_{VIO}$, receive, no load
Recessive Output Voltage	$V_{O(rec)}$	2	$0.5 \times V_{VCC}$	3	V	Normal and Silent modes, $V_{TXD} = V_{VIO}$, no load
		-0.1	—	+0.1	V	Standby mode, $V_{TXD} = V_{VIO}$, no load

Note 1: This parameter is 100% correlation tested.

2: This parameter is ensured by characterization on samples.

3: This parameter is ensured by design.

ATA6560/1

ATA6560/1 ELECTRICAL CHARACTERISTICS (CONTINUED)

Electrical Specifications: $T_{VJ} = -40^{\circ}\text{C}$ to $+150^{\circ}\text{C}$; $V_{VCC} = 4.5\text{V}$ to 5.5V ; $V_{VIO} = 2.8\text{V}$ to 5.5V ; $R_L = 60\Omega$, $C_L = 100\text{pF}$, unless otherwise; all voltages are defined in relation to ground; positive currents flow into the IC.

Parameters	Sym.	Min.	Typ.	Max.	Units	Conditions
Differential Receiver Threshold Voltage	$V_{th(RX)dif}$	0.5	0.7	0.9	V	Normal and Silent modes (HSC), $V_{cm(CAN)} = -27\text{V}$ to $+27\text{V}$
		0.4	0.7	1	V	Standby mode (WUC), $V_{cm(CAN)} = -27\text{V}$ to $+27\text{V}$ (Note 1)
Differential Receiver Hysteresis Voltage (HSC)	$V_{hys(RX)dif}$	50	120	200	mV	Normal and Silent modes (HSC), $V_{cm(CAN)} = -27\text{V}$ to $+27\text{V}$ (Note 1)
Dominant Output Current	$I_{IO(dom)}$	-100	—	-35	mA	$V_{TXD} = 0\text{V}$, $t < t_{to(dom)TXD}$, $V_{VCC} = 5\text{V}$, pin CANH, $V_{CANH} = 0\text{V}$
		35	—	100	mA	$V_{TXD} = 0\text{V}$, $t < t_{to(dom)TXD}$, $V_{VCC} = 5\text{V}$, pin CANL, $V_{CANL} = 5\text{V}/40\text{V}$
Recessive Output Current	$I_{IO(rec)}$	-5	—	+5	mA	Normal and Silent modes, $V_{TXD} = V_{VIO}$, no load, $V_{CANH} = V_{CANL} = -27\text{V}$ to $+32\text{V}$
Leakage Current	$I_{IO(rec)}$	-5	0	+5	μA	$V_{VCC} = V_{VIO} = 0\text{V}$, $V_{CANH} = V_{CANL} = 5\text{V}$
Input Resistance	R_i	9	15	28	k Ω	
Input Resistance Deviation	ΔR_i	-1	0	+1	%	Between V_{CANH} and V_{CANL}
Differential Input Resistance	$R_{i(dif)}$	19	30	56	k Ω	
		20	30	56	k Ω	$T_{VJ} < +125^{\circ}\text{C}$
Common-Mode Input Capacitance	$C_{i(cm)}$	—	—	20	pF	Note 3
Differential Input Capacitance	$C_{i(dif)}$	—	—	10	pF	Note 3
Transceiver Timing, Pins CANH, CANL, TXD, and RXD, see Figure 2-1 and Figure 2-2						
Delay Time from TXD to Bus Dominant	$t_{d(TXD-busdom)}$	40	—	130	ns	Normal mode (Note 2)
Delay Time from TXD to Bus Recessive	$t_{d(TXD-busrec)}$	40	—	130	ns	Normal mode (Note 2)
Delay Time from Bus Dominant to RXD	$t_{d(busdom-RXD)}$	20	—	100	ns	Normal and Silent modes (Note 2)
Delay Time from Bus Recessive to RXD	$t_{d(busrec-RXD)}$	20	—	100	ns	Normal and Silent modes (Note 2)

Note 1: This parameter is 100% correlation tested.

2: This parameter is ensured by characterization on samples.

3: This parameter is ensured by design.

ATA6560/1 ELECTRICAL CHARACTERISTICS (CONTINUED)

Electrical Specifications: $T_{VJ} = -40^{\circ}\text{C}$ to $+150^{\circ}\text{C}$; $V_{VCC} = 4.5\text{V}$ to 5.5V ; $V_{VIO} = 2.8\text{V}$ to 5.5V ; $R_L = 60\Omega$, $C_L = 100\text{ pF}$, unless otherwise; all voltages are defined in relation to ground; positive currents flow into the IC.

Parameters	Sym.	Min.	Typ.	Max.	Units	Conditions
Propagation Delay from TXD to RXD	$t_{PD(TXD-RXD)}$	40	—	210	ns	Normal mode, Rising edge at pin TXD
		40	—	200	ns	Normal mode, Falling edge at pin TXD
	$t_{PD(TXD-RXD)}$	—	—	300	ns	Normal mode, Rising edge at pin TXD $R_L = 120\Omega$, $C_L = 200\text{ pF}$ (Note 3)
		—	—	300	ns	Normal mode, Falling edge at pin TXD $R_L = 120\Omega$, $C_L = 200\text{ pF}$ (Note 3)
TXD Dominant Time-Out Time	$t_{to(dom)TXD}$	0.8	—	3	ms	$V_{TXD} = 0\text{V}$, Normal mode
Bus Wake-Up Time-Out Time	t_{to_bus}	0.8	—	3	ms	Standby mode
Minimum Dominant/Recessive Bus Wake-Up Time	t_{wake}	0.75	3	5	μs	Standby mode
Delay Time for Standby Mode to Normal Mode Transition	$t_{del(stby-norm)}$	—	—	47	μs	Falling edge at pin STBY NSIL = HIGH
Delay Time for Normal Mode to Standby Mode Transition	$t_{del(norm-stby)}$	—	—	5	μs	Rising edge at pin STBY NSIL = HIGH (Note 3)
Delay Time for Normal Mode to Silent Mode Transition	$t_{del(norm-sil)}$	—	—	10	μs	Falling edge at pin NSIL STBY = LOW (Note 3)
Delay Time for Silent Mode to Normal Mode Transition	$t_{del(sil-norm)}$	—	—	10	μs	Rising edge at pin NSIL STBY = LOW (Note 3)
Delay Time for Silent Mode to Standby Mode Transition	$t_{del(sil-stby)}$	—	—	5	μs	Rising edge at pin STBY NSIL = LOW (Note 3)
Delay Time for Standby Mode to Silent Mode Transition	$t_{del(stby-sil)}$	—	—	47	μs	Rising edge at pin STBY NSIL = LOW (Note 3)
Debouncing Time for Recessive Clamping State Detection	t_{RC_det}	—	90	—	ns	$V_{(CANH-CANL)} > 900\text{ mV}$ RXD = HIGH (Note 3)
Transceiver Timing for higher Bit Rates, Pins CANH, CANL, TXD, and RXD, see Figure 2-1 and Figure 2-3						
Recessive Bit Time on Pin RXD	$t_{Bit(RXD)}$	400	—	550	ns	Normal mode, $t_{Bit(TXD)} = 500\text{ ns}$ (Note 3)
		120	—	220	ns	Normal mode, $t_{Bit(TXD)} = 200\text{ ns}$

Note 1: This parameter is 100% correlation tested.

Note 2: This parameter is ensured by characterization on samples.

Note 3: This parameter is ensured by design.

ATA6560/1

Temperature Specifications

Parameters	Sym.	Min.	Typ.	Max.	Units	Conditions
8-Lead SOIC						
Thermal Resistance Virtual Junction to Ambient	R_{thvJA}	—	145	—	K/W	
Thermal Shutdown of Bus Drivers	T_{Jsd}	150	175	195	°C	
8-Lead VDFN						
Thermal Resistance Virtual Junction to Heat Slug	R_{thvJC}	—	10	—	K/W	
Thermal Resistance Virtual Junction to Ambient, where Heat Slug is Soldered to PCB According to JEDEC	R_{thvJA}	—	50	—	K/W	
Thermal Shutdown of Bus Drivers	T_{Jsd}	150	175	195	°C	

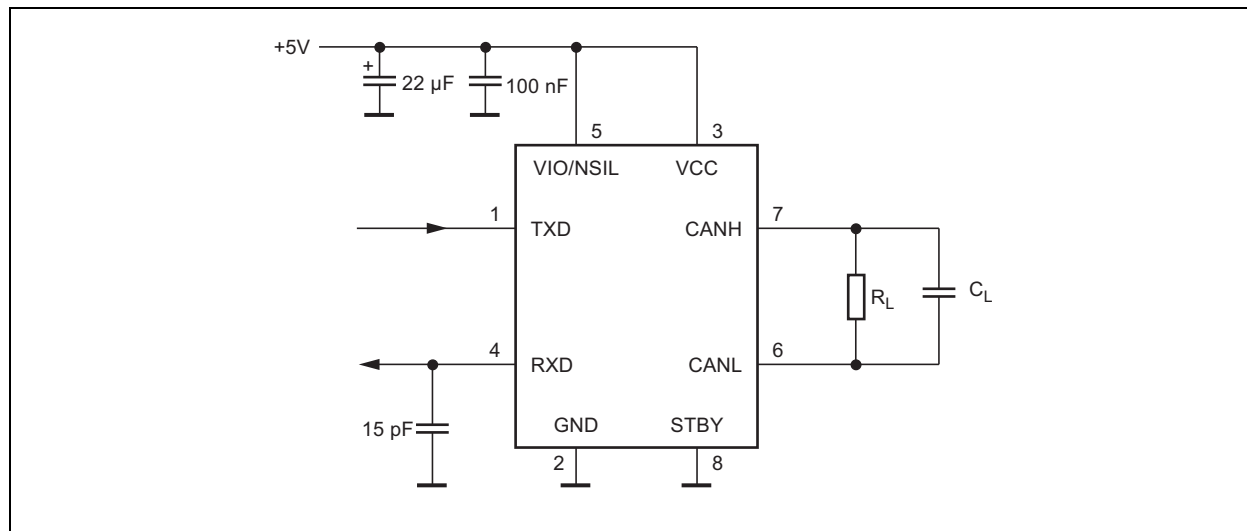


FIGURE 2-1: Timing Test Circuit for the ATA6560/1 CAN Transceiver.

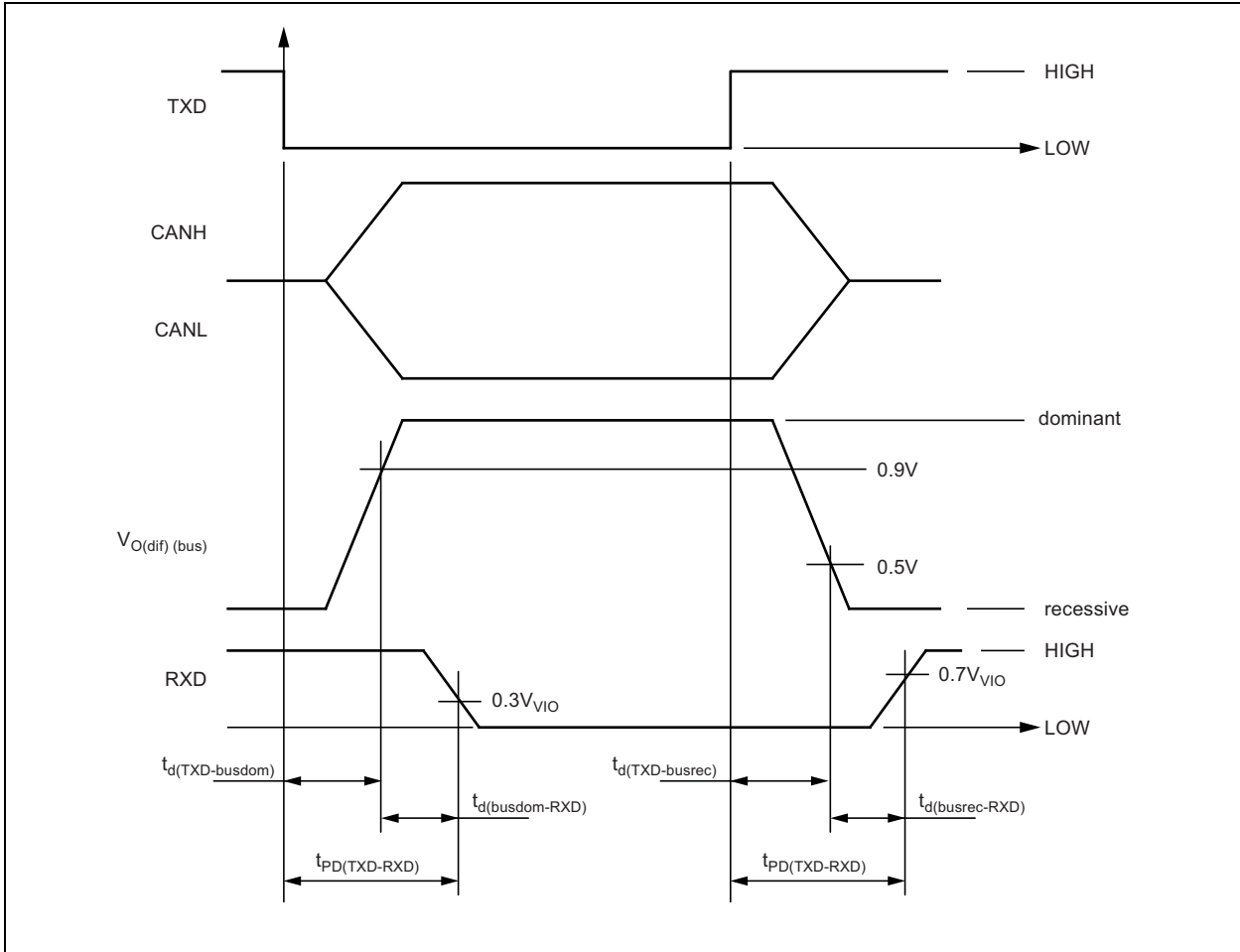
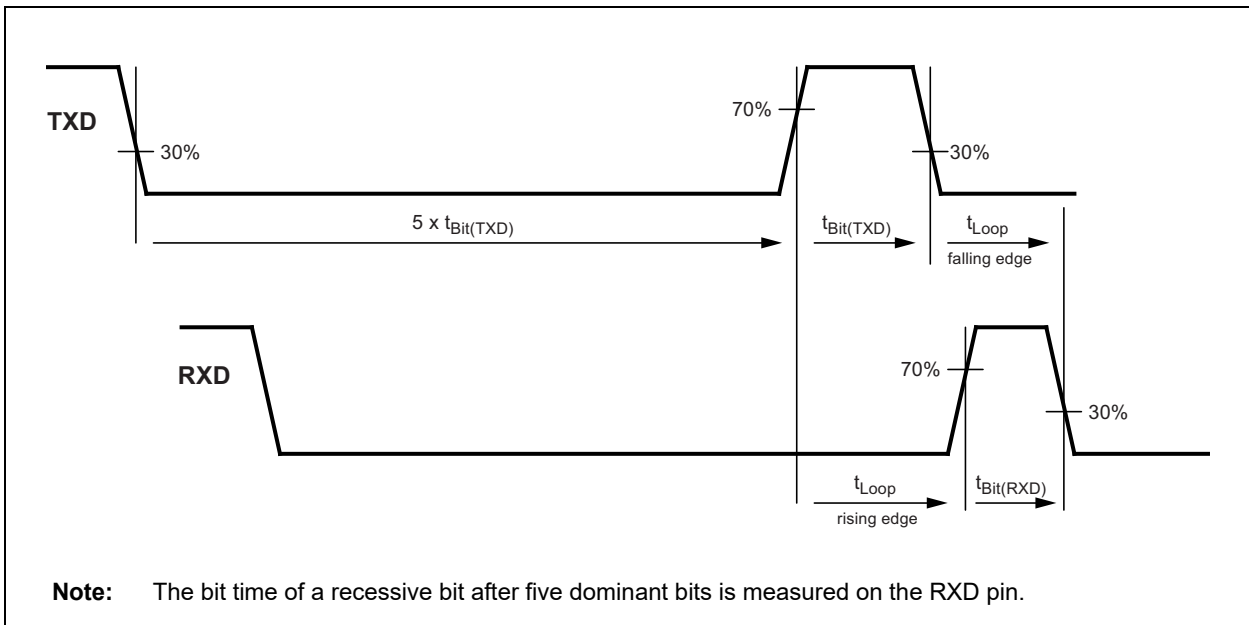


FIGURE 2-2: CAN Transceiver Timing Diagram.



Note: The bit time of a recessive bit after five dominant bits is measured on the RXD pin.

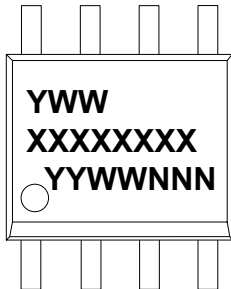
FIGURE 2-3: CAN Transceiver Timing Diagram for Loop Delay Symmetry.

ATA6560/1

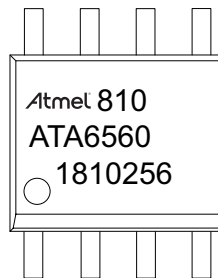
3.0 PACKAGING INFORMATION

3.1 Package Marking Information

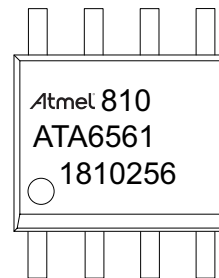
8-Lead SOIC



Example ATA6560

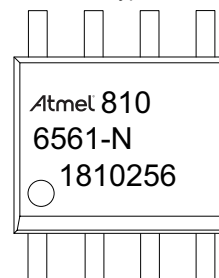
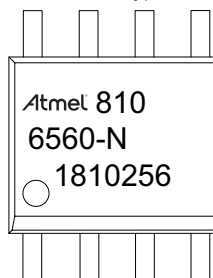


Example ATA6561

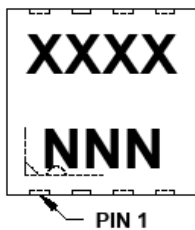


Example ATA6560
Industrial type

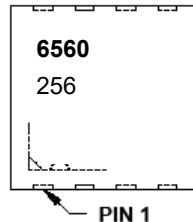
Example ATA6561
Industrial type



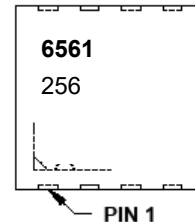
8-Lead 3 x 3 mm VDFN



Example ATA6560

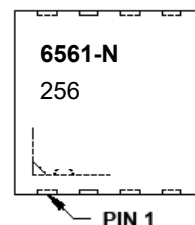
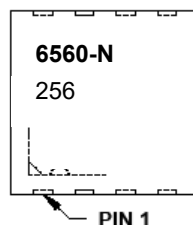


Example ATA6561



Example ATA6560
Industrial type

Example ATA6561
Industrial type

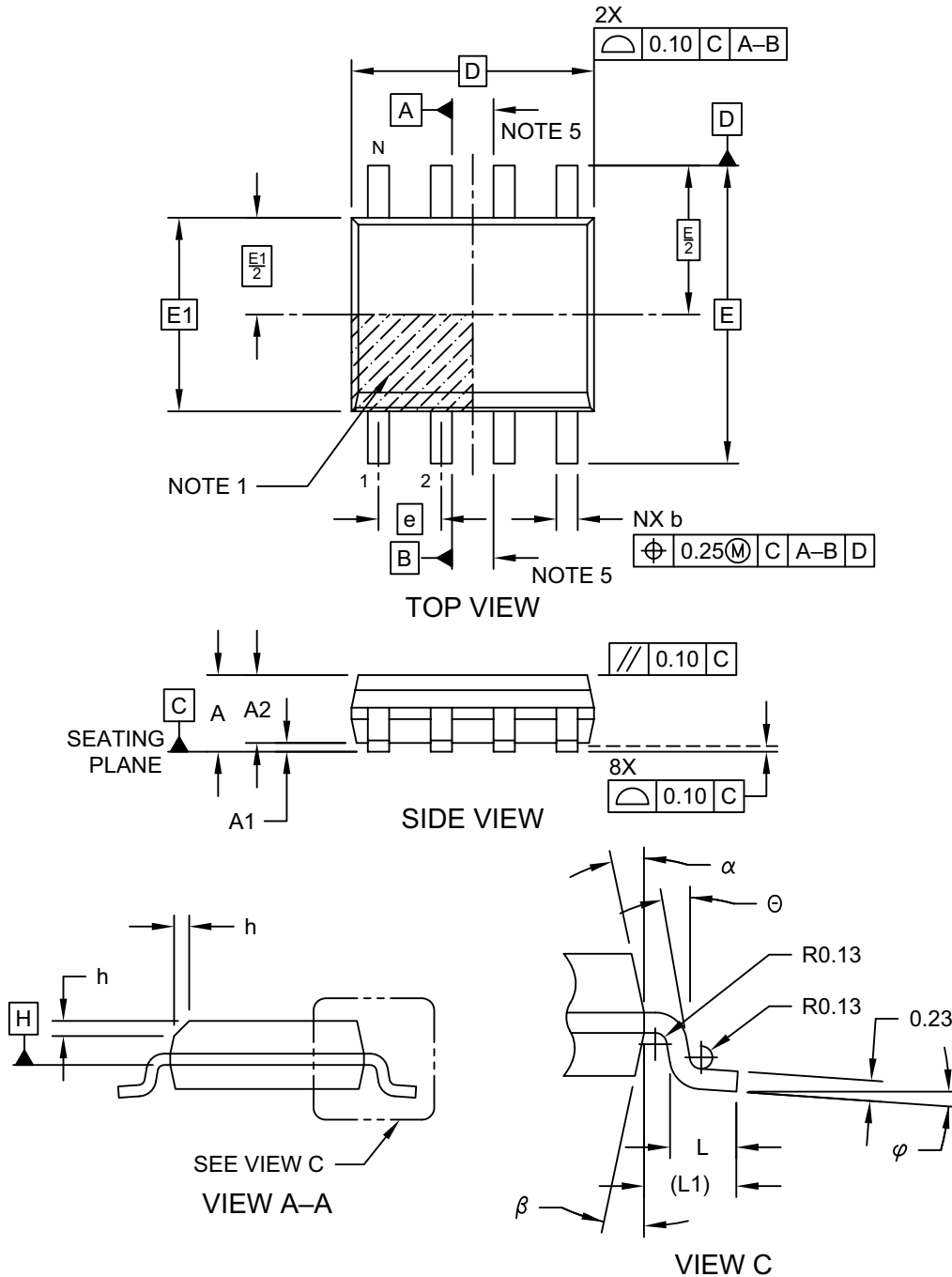


Legend:	XX...X
	Customer-specific information
	Y Year code (last digit of calendar year)
	YY Year code (last 2 digits of calendar year)
	WW Week code (week of January 1 is week '01')
	NNN Alphanumeric traceability code
	(e3) Pb-free JEDEC designator for Matte Tin (Sn)
	* This package is Pb-free. The Pb-free JEDEC designator (e3)

Note: In the event the full Microchip part number cannot be marked on one line, it will be carried over to the next line, thus limiting the number of available characters for customer-specific information.

8-Lead Plastic Small Outline (OA) - Narrow, 3.90 mm (.150 In.) Body [SOIC]

Note: For the most current package drawings, please see the Microchip Packaging Specification located at <http://www.microchip.com/packaging>.

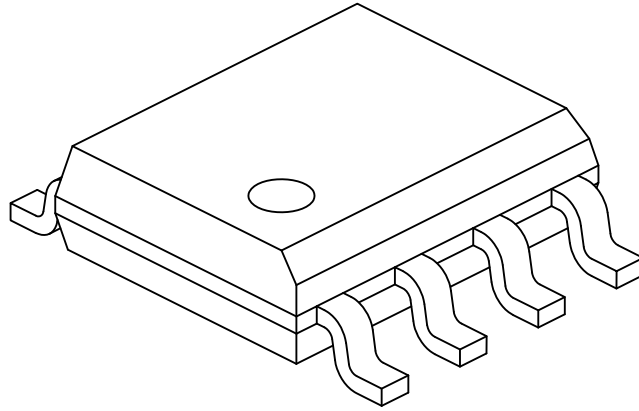


Microchip Technology Drawing No. C04-057-OA Rev D Sheet 1 of 2

ATA6560/1

8-Lead Plastic Small Outline (OA) - Narrow, 3.90 mm (.150 In.) Body [SOIC]

Note: For the most current package drawings, please see the Microchip Packaging Specification located at <http://www.microchip.com/packaging>.



		Units	MILLIMETERS		
Dimension Limits			MIN	NOM	MAX
Number of Pins	N		8		
Pitch	e		1.27 BSC		
Overall Height	A		-	-	1.75
Molded Package Thickness	A2		1.25	-	-
Standoff	A1		0.10	-	0.25
Overall Width	E		6.00 BSC		
Molded Package Width	E1		3.90 BSC		
Overall Length	D		4.90 BSC		
Chamfer (Optional)	h		0.25	-	0.50
Foot Length	L		0.40	-	1.27
Footprint	L1		1.04 REF		
Foot Angle	φ		0°	-	8°
Lead Thickness	c		0.17	-	0.25
Lead Width	b		0.31	-	0.51
Mold Draft Angle Top	α		5°	-	15°
Mold Draft Angle Bottom	β		5°	-	15°

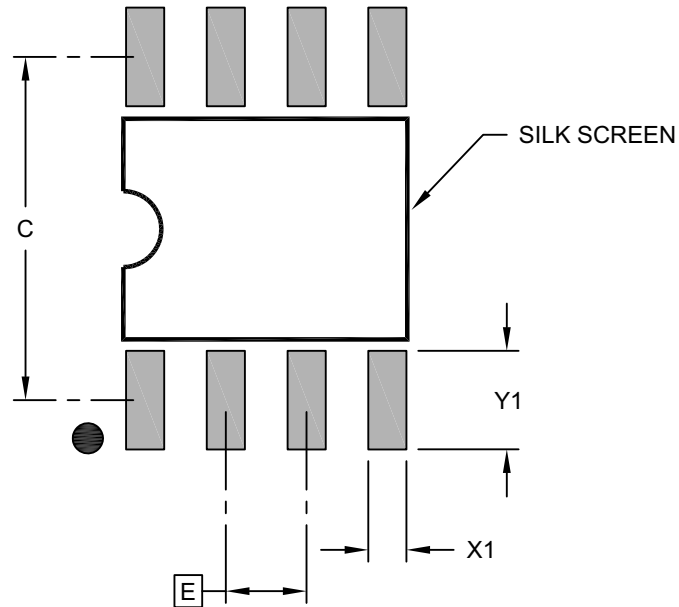
Notes:

1. Pin 1 visual index feature may vary, but must be located within the hatched area.
2. Significant Characteristic
3. Dimensions D and E1 do not include mold flash or protrusions. Mold flash or protrusions shall not exceed 0.15mm per side.
4. Dimensioning and tolerancing per ASME Y14.5M
 - BSC: Basic Dimension. Theoretically exact value shown without tolerances.
 - REF: Reference Dimension, usually without tolerance, for information purposes only.
5. Datums A & B to be determined at Datum H.

Microchip Technology Drawing No. C04-057-OA Rev D Sheet 2 of 2

8-Lead Plastic Small Outline (OA) - Narrow, 3.90 mm Body [SOIC]

Note: For the most current package drawings, please see the Microchip Packaging Specification located at <http://www.microchip.com/packaging>.



RECOMMENDED LAND PATTERN

Dimension Limits	Units	MILLIMETERS		
		MIN	NOM	MAX
Contact Pitch	E	1.27 BSC		
Contact Pad Spacing	C		5.40	
Contact Pad Width (X8)	X1			0.60
Contact Pad Length (X8)	Y1			1.55

Notes:

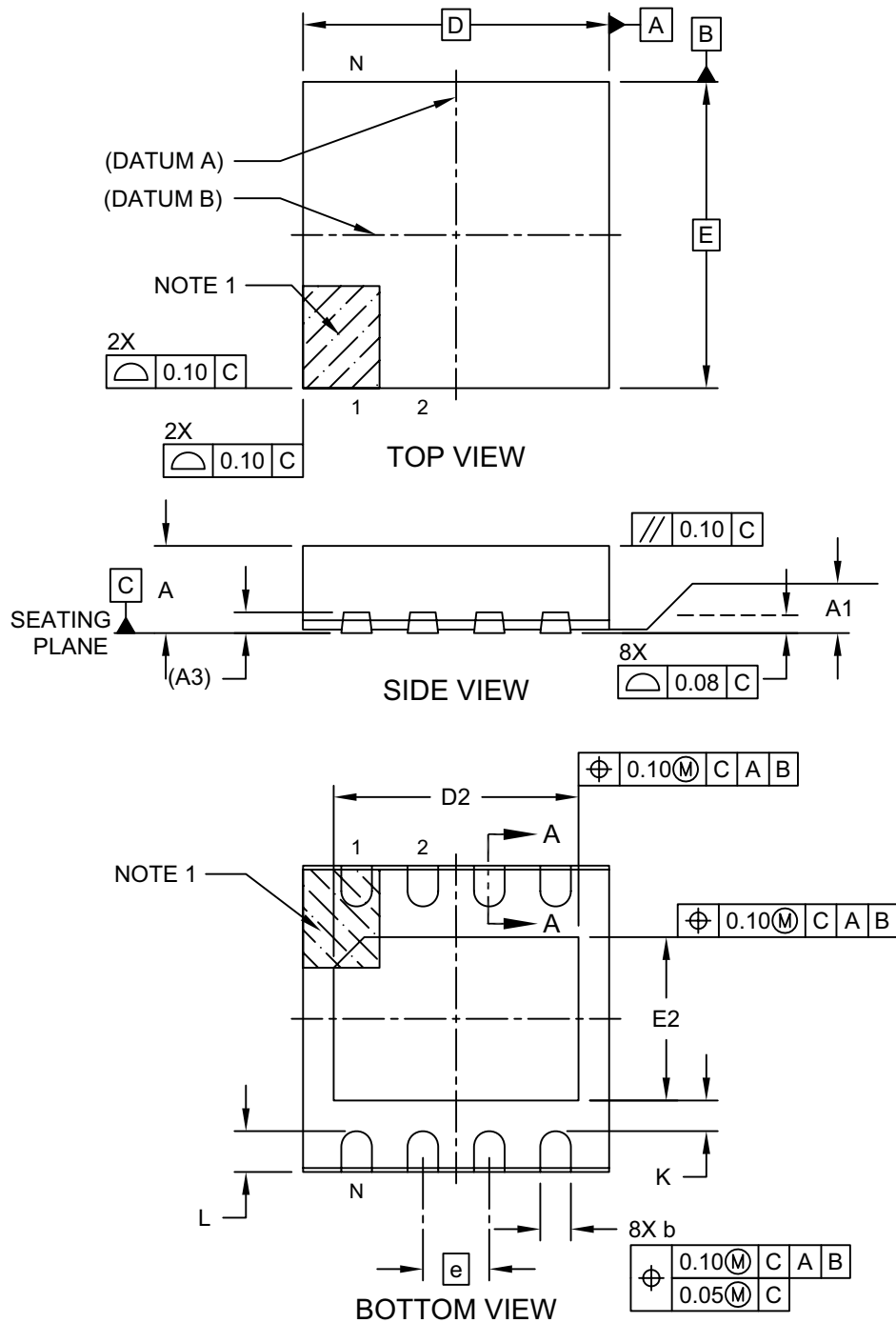
1. Dimensioning and tolerancing per ASME Y14.5M
BSC: Basic Dimension. Theoretically exact value shown without tolerances.

Microchip Technology Drawing C04-2057-OA Rev B

ATA6560/1

8-Lead Very Thin Plastic Dual Flat, No Lead Package (Q8B) - 3x3 mm Body [VDFN] With 2.40x1.60 mm Exposed Pad and Stepped Wettable Flanks

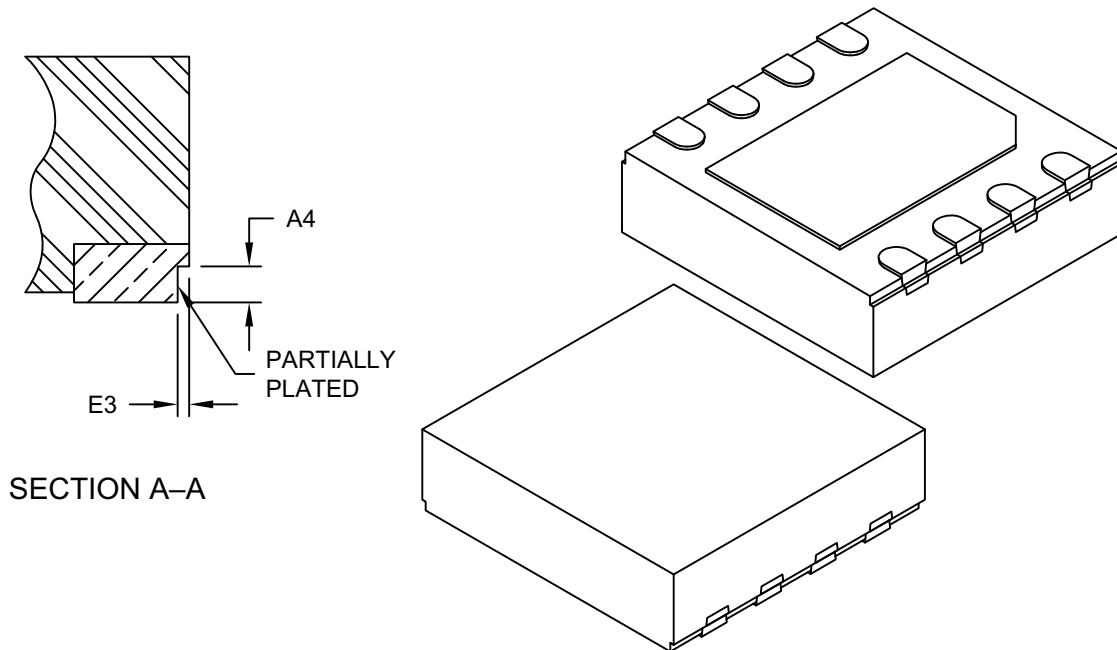
Note: For the most current package drawings, please see the Microchip Packaging Specification located at <http://www.microchip.com/packaging>.



Microchip Technology Drawing C04-21358 Rev B Sheet 1 of 2

8-Lead Very Thin Plastic Dual Flat, No Lead Package (Q8B) - 3x3 mm Body [VDFN] With 2.40x1.60 mm Exposed Pad and Stepped Wettable Flanks

Note: For the most current package drawings, please see the Microchip Packaging Specification located at <http://www.microchip.com/packaging>.



		Units	MILLIMETERS		
Dimension Limits			MIN	NOM	MAX
Number of Terminals	N		8		
Pitch	e		0.65 BSC		
Overall Height	A		0.80	0.85	0.90
Standoff	A1		0.00	0.03	0.05
Terminal Thickness	A3		0.203 REF		
Overall Length	D		3.00 BSC		
Exposed Pad Length	D2		2.30	2.40	2.50
Overall Width	E		3.00 BSC		
Exposed Pad Width	E2		1.50	1.60	1.70
Terminal Width	b		0.25	0.30	0.35
Terminal Length	L		0.35	0.40	0.45
Terminal-to-Exposed-Pad	K		0.20	-	-
Wettable Flank Step Cut Depth	A4		0.10	0.13	0.15
Wettable Flank Step Cut Width	E3		-	-	0.04

Notes:

- Pin 1 visual index feature may vary, but must be located within the hatched area.
- Package is saw singulated
- Dimensioning and tolerancing per ASME Y14.5M

BSC: Basic Dimension. Theoretically exact value shown without tolerances.

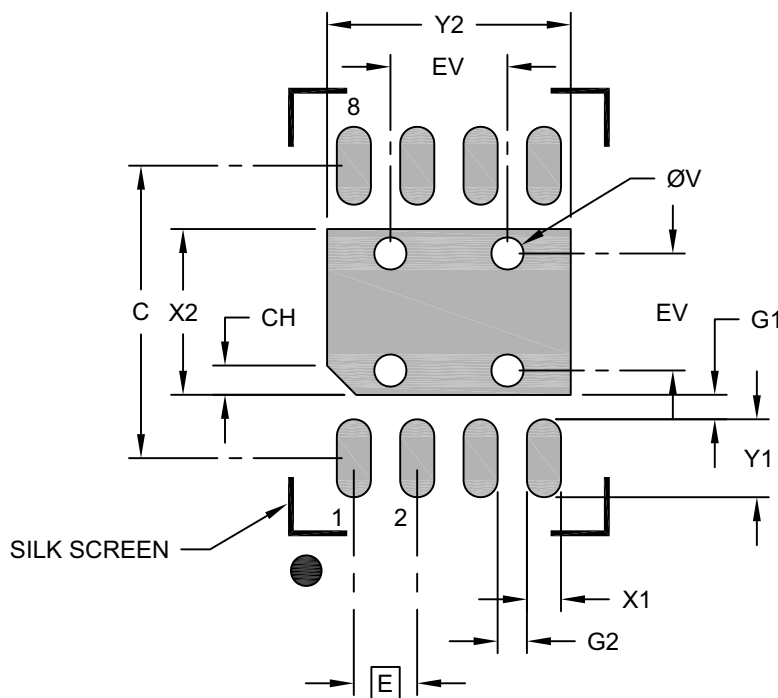
REF: Reference Dimension, usually without tolerance, for information purposes only.

Microchip Technology Drawing C04-21358 Rev B Sheet 2 of 2

ATA6560/1

8-Lead Very Thin Plastic Dual Flat, No Lead Package (Q8B) - 3x3 mm Body [VDFN] With 2.40x1.60 mm Exposed Pad and Stepped Wettable Flanks

Note: For the most current package drawings, please see the Microchip Packaging Specification located at <http://www.microchip.com/packaging>.



RECOMMENDED LAND PATTERN

Dimension Limits	Units	MILLIMETERS		
		MIN	NOM	MAX
Contact Pitch	E	0.65 BSC		
Optional Center Pad Width	X2			1.70
Optional Center Pad Length	Y2			2.50
Contact Pad Spacing	C	3.00		
Contact Pad Width (X8)	X1			0.35
Contact Pad Length (X8)	Y1			0.80
Contact Pad to Center Pad (X8)	G1	0.20		
Contact Pad to Contact Pad (X6)	G2	0.20		
Pin 1 Index Chamfer	CH	0.20		
Thermal Via Diameter	V		0.33	
Thermal Via Pitch	EV		1.20	

Notes:

1. Dimensioning and tolerancing per ASME Y14.5M
BSC: Basic Dimension. Theoretically exact value shown without tolerances.
2. For best soldering results, thermal vias, if used, should be filled or tented to avoid solder loss during reflow process

Microchip Technology Drawing C04-23358 Rev B

APPENDIX A: REVISION HISTORY

Revision A (April 2018)

- Original release of this document.
- This document replaces Atmel - 9288J-AUTO-04/15.
- Added Industrial types.
- Added table [ATA6560/1 Family Members](#).

ATA6560/1

NOTES:

THE MICROCHIP WEB SITE

Microchip provides online support via our WWW site at www.microchip.com. This web site is used as a means to make files and information easily available to customers. Accessible by using your favorite Internet browser, the web site contains the following information:

- **Product Support** – Data sheets and errata, application notes and sample programs, design resources, user's guides and hardware support documents, latest software releases and archived software
- **General Technical Support** – Frequently Asked Questions (FAQ), technical support requests, online discussion groups, Microchip consultant program member listing
- **Business of Microchip** – Product selector and ordering guides, latest Microchip press releases, listing of seminars and events, listings of Microchip sales offices, distributors and factory representatives

CUSTOMER CHANGE NOTIFICATION SERVICE

Microchip's customer notification service helps keep customers current on Microchip products. Subscribers will receive e-mail notification whenever there are changes, updates, revisions or errata related to a specified product family or development tool of interest.

To register, access the Microchip web site at www.microchip.com. Under "Support", click on "Customer Change Notification" and follow the registration instructions.

CUSTOMER SUPPORT

Users of Microchip products can receive assistance through several channels:

- Distributor or Representative
- Local Sales Office
- Field Application Engineer (FAE)
- Technical Support

Customers should contact their distributor, representative or Field Application Engineer (FAE) for support. Local sales offices are also available to help customers. A listing of sales offices and locations is included in the back of this document.

Technical support is available through the web site at: <http://microchip.com/support>

ATA6560/1

PRODUCT IDENTIFICATION SYSTEM

To order or obtain information, e.g., on pricing or delivery, contact your local Microchip representative or sales office.

<u>PART NO.</u>	-	<u>XX</u>	<u>IXI</u> ⁽¹⁾	<u>X</u>	-	<u>X</u>
Device		Package	Tape and Reel Option	Package Directives Classification		Device Variant
Device:		ATA6560/1:	High-Speed CAN Transceiver with Standby Mode – CAN FD Ready			
Package:		GA =	8-Lead SOIC			
		GB =	8-Lead VDFN			
Tape and Reel Option:		Q =	330 mm diameter Tape and Reel			
Package Directives Classification:		W =	Package according to RoHS ⁽²⁾			
Device Variant		N =	Device Variant N (Industrial type)			

Examples:	
a) ATA6560-GAQW:	ATA6560, 8-Lead SOIC, Qualified according to AEC-Q100, Tape and Reel, Package according to RoHS
b) ATA6560-GBQW:	ATA6560, 8-Lead VDFN, Qualified according to AEC-Q100, Tape and Reel, Package according to RoHS
c) ATA6561-GAQW:	ATA6561, 8-Lead SOIC, Qualified according to AEC-Q100, Tape and Reel, Package according to RoHS
d) ATA6561-GBQW:	ATA6561, 8-Lead VDFN, Qualified according to AEC-Q100, Tape and Reel, Package according to RoHS
e) ATA6560-GAQW-N:	ATA6560, 8-Lead SOIC, Tape and Reel, Package according to RoHS, Industrial type
f) ATA6560-GBQW-N:	ATA6560, 8-Lead VDFN, Tape and Reel, Package according to RoHS, Industrial type
g) ATA6561-GAQW-N:	ATA6561, 8-Lead SOIC, Tape and Reel, Package according to RoHS, Industrial type
h) ATA6561-GBQW-N:	ATA6561, 8-Lead VDFN, Tape and Reel, Package according to RoHS, Industrial type

Note 1:	Tape and Reel identifier only appears in the catalog part number description. This identifier is used for ordering purposes and is not printed on the device package. Check with your Microchip Sales Office for package availability with the Tape and Reel option.
2:	RoHS compliant; maximum concentration value of 0.09% (900 ppm) for Bromine (Br) and Chlorine (Cl) and less than 0.15% (1500 ppm) total Bromine (Br) and Chlorine (Cl) in any homogeneous material. Maximum concentration value of 0.09% (900 ppm) for Antimony (Sb) in any homogeneous material.

Note the following details of the code protection feature on Microchip devices:

- Microchip products meet the specification contained in their particular Microchip Data Sheet.
- Microchip believes that its family of products is one of the most secure families of its kind on the market today, when used in the intended manner and under normal conditions.
- There are dishonest and possibly illegal methods used to breach the code protection feature. All of these methods, to our knowledge, require using the Microchip products in a manner outside the operating specifications contained in Microchip's Data Sheets. Most likely, the person doing so is engaged in theft of intellectual property.
- Microchip is willing to work with the customer who is concerned about the integrity of their code.
- Neither Microchip nor any other semiconductor manufacturer can guarantee the security of their code. Code protection does not mean that we are guaranteeing the product as “unbreakable.”

Code protection is constantly evolving. We at Microchip are committed to continuously improving the code protection features of our products. Attempts to break Microchip's code protection feature may be a violation of the Digital Millennium Copyright Act. If such acts allow unauthorized access to your software or other copyrighted work, you may have a right to sue for relief under that Act.

Information contained in this publication regarding device applications and the like is provided only for your convenience and may be superseded by updates. It is your responsibility to ensure that your application meets with your specifications. MICROCHIP MAKES NO REPRESENTATIONS OR WARRANTIES OF ANY KIND WHETHER EXPRESS OR IMPLIED, WRITTEN OR ORAL, STATUTORY OR OTHERWISE, RELATED TO THE INFORMATION, INCLUDING BUT NOT LIMITED TO ITS CONDITION, QUALITY, PERFORMANCE, MERCHANTABILITY OR FITNESS FOR PURPOSE. Microchip disclaims all liability arising from this information and its use. Use of Microchip devices in life support and/or safety applications is entirely at the buyer's risk, and the buyer agrees to defend, indemnify and hold harmless Microchip from any and all damages, claims, suits, or expenses resulting from such use. No licenses are conveyed, implicitly or otherwise, under any Microchip intellectual property rights unless otherwise stated.

Microchip received ISO/TS-16949:2009 certification for its worldwide headquarters, design and wafer fabrication facilities in Chandler and Tempe, Arizona; Gresham, Oregon and design centers in California and India. The Company's quality system processes and procedures are for its PIC® MCUs and dsPIC® DSCs, KEELOQ® code hopping devices, Serial EEPROMs, microperipherals, nonvolatile memory and analog products. In addition, Microchip's quality system for the design and manufacture of development systems is ISO 9001:2000 certified.

**QUALITY MANAGEMENT SYSTEM
CERTIFIED BY DNV
= ISO/TS 16949 =**

Trademarks

The Microchip name and logo, the Microchip logo, AnyRate, AVR, AVR logo, AVR Freaks, BeaconThings, BitCloud, chipKIT, chipKIT logo, CryptoMemory, CryptoRF, dsPIC, FlashFlex, flexPWR, Helder, JukeBlox, KEELOQ, KEELOQ logo, Kleer, LANCheck, LINK MD, maXStylus, maXTouch, MediaLB, megaAVR, MOST, MOST logo, MPLAB, OptoLyzer, PIC, picoPower, PICSTART, PIC32 logo, Prochip Designer, QTouch, RightTouch, SAM-BA, SpyNIC, SST, SST Logo, SuperFlash, tinyAVR, UNI/O, and XMEGA are registered trademarks of Microchip Technology Incorporated in the U.S.A. and other countries.

ClockWorks, The Embedded Control Solutions Company, EtherSynch, Hyper Speed Control, HyperLight Load, IntellIMOS, mTouch, Precision Edge, and Quiet-Wire are registered trademarks of Microchip Technology Incorporated in the U.S.A.

Adjacent Key Suppression, AKS, Analog-for-the-Digital Age, Any Capacitor, AnyIn, AnyOut, BodyCom, CodeGuard, CryptoAuthentication, CryptoCompanion, CryptoController, dsPICDEM, dsPICDEM.net, Dynamic Average Matching, DAM, ECAN, EtherGREEN, In-Circuit Serial Programming, ICSP, Inter-Chip Connectivity, JitterBlocker, KleerNet, KleerNet logo, Mindi, MiWi, motorBench, MPASM, MPF, MPLAB Certified logo, MPLIB, MPLINK, MultiTRAK, NetDetach, Omniscient Code Generation, PICDEM, PICDEM.net, PICKit, PICTail, PureSilicon, QMatrix, RightTouch logo, REAL ICE, Ripple Blocker, SAM-ICE, Serial Quad I/O, SMART-I.S., SQI, SuperSwitcher, SuperSwitcher II, Total Endurance, TSHARC, USBCheck, VariSense, ViewSpan, WiperLock, Wireless DNA, and ZENA are trademarks of Microchip Technology Incorporated in the U.S.A. and other countries.

SQTP is a service mark of Microchip Technology Incorporated in the U.S.A.

Silicon Storage Technology is a registered trademark of Microchip Technology Inc. in other countries.

GestIC is a registered trademark of Microchip Technology Germany II GmbH & Co. KG, a subsidiary of Microchip Technology Inc., in other countries.

All other trademarks mentioned herein are property of their respective companies.

© 2018, Microchip Technology Incorporated, All Rights Reserved.

ISBN: 978-1-5224-2875-6



MICROCHIP

Worldwide Sales and Service

AMERICAS

Corporate Office
2355 West Chandler Blvd.
Chandler, AZ 85224-6199
Tel: 480-792-7200
Fax: 480-792-7277
Technical Support:
<http://www.microchip.com/support>
Web Address:
www.microchip.com

Atlanta

Duluth, GA
Tel: 678-957-9614
Fax: 678-957-1455

Austin, TX

Tel: 512-257-3370

Boston

Westborough, MA
Tel: 774-760-0087
Fax: 774-760-0088

Chicago

Itasca, IL
Tel: 630-285-0071
Fax: 630-285-0075

Dallas

Addison, TX
Tel: 972-818-7423
Fax: 972-818-2924

Detroit

Novi, MI
Tel: 248-848-4000

Houston, TX

Tel: 281-894-5983

Indianapolis

Noblesville, IN
Tel: 317-773-8323
Fax: 317-773-5453
Tel: 317-536-2380

Los Angeles

Mission Viejo, CA
Tel: 949-462-9523
Fax: 949-462-9608
Tel: 951-273-7800

Raleigh, NC

Tel: 919-844-7510

New York, NY

Tel: 631-435-6000

San Jose, CA

Tel: 408-735-9110
Tel: 408-436-4270

Canada - Toronto

Tel: 905-695-1980
Fax: 905-695-2078

ASIA/PACIFIC

Australia - Sydney
Tel: 61-2-9868-6733

China - Beijing
Tel: 86-10-8569-7000

China - Chengdu
Tel: 86-28-8665-5511

China - Chongqing
Tel: 86-23-8980-9588

China - Dongguan
Tel: 86-769-8702-9880

China - Guangzhou
Tel: 86-20-8755-8029

China - Hangzhou
Tel: 86-571-8792-8115

China - Hong Kong SAR
Tel: 852-2943-5100

China - Nanjing
Tel: 86-25-8473-2460

China - Qingdao
Tel: 86-532-8502-7355

China - Shanghai
Tel: 86-21-3326-8000

China - Shenyang
Tel: 86-24-2334-2829

China - Shenzhen
Tel: 86-755-8864-2200

China - Suzhou
Tel: 86-186-6233-1526

China - Wuhan
Tel: 86-27-5980-5300

China - Xian
Tel: 86-29-8833-7252

China - Xiamen
Tel: 86-592-2388138

China - Zhuhai
Tel: 86-756-3210040

ASIA/PACIFIC

India - Bangalore
Tel: 91-80-3090-4444

India - New Delhi
Tel: 91-11-4160-8631

India - Pune
Tel: 91-20-4121-0141

Japan - Osaka
Tel: 81-6-6152-7160

Japan - Tokyo
Tel: 81-3-6880-3770

Korea - Daegu
Tel: 82-53-744-4301

Korea - Seoul
Tel: 82-2-554-7200

Malaysia - Kuala Lumpur
Tel: 60-3-7651-7906

Malaysia - Penang
Tel: 60-4-227-8870

Philippines - Manila
Tel: 63-2-634-9065

Singapore
Tel: 65-6334-8870

Taiwan - Hsin Chu
Tel: 886-3-577-8366

Taiwan - Kaohsiung
Tel: 886-7-213-7830

Taiwan - Taipei
Tel: 886-2-2508-8600

Thailand - Bangkok
Tel: 66-2-694-1351

Vietnam - Ho Chi Minh
Tel: 84-28-5448-2100

EUROPE

Austria - Wels
Tel: 43-7242-2244-39
Fax: 43-7242-2244-393

Denmark - Copenhagen
Tel: 45-4450-2828
Fax: 45-4485-2829

Finland - Espoo
Tel: 358-9-4520-820

France - Paris
Tel: 33-1-69-53-63-20
Fax: 33-1-69-30-90-79

Germany - Garching
Tel: 49-8931-9700

Germany - Haan
Tel: 49-2129-3766400

Germany - Heilbronn
Tel: 49-7131-67-3636

Germany - Karlsruhe
Tel: 49-721-625370

Germany - Munich
Tel: 49-89-627-144-0
Fax: 49-89-627-144-44

Germany - Rosenheim
Tel: 49-8031-354-560

Israel - Ra'anana
Tel: 972-9-744-7705

Italy - Milan
Tel: 39-0331-742611
Fax: 39-0331-466781

Italy - Padova
Tel: 39-049-7625286

Netherlands - Drunen
Tel: 31-416-690399
Fax: 31-416-690340

Norway - Trondheim
Tel: 47-7289-7561

Poland - Warsaw
Tel: 48-22-3325737

Romania - Bucharest
Tel: 40-21-407-87-50

Spain - Madrid
Tel: 34-91-708-08-90
Fax: 34-91-708-08-91

Sweden - Gothenberg
Tel: 46-31-704-60-40

Sweden - Stockholm
Tel: 46-8-5090-4654

UK - Wokingham
Tel: 44-118-921-5800
Fax: 44-118-921-5820