

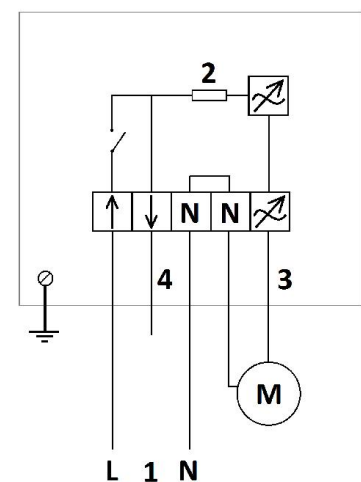
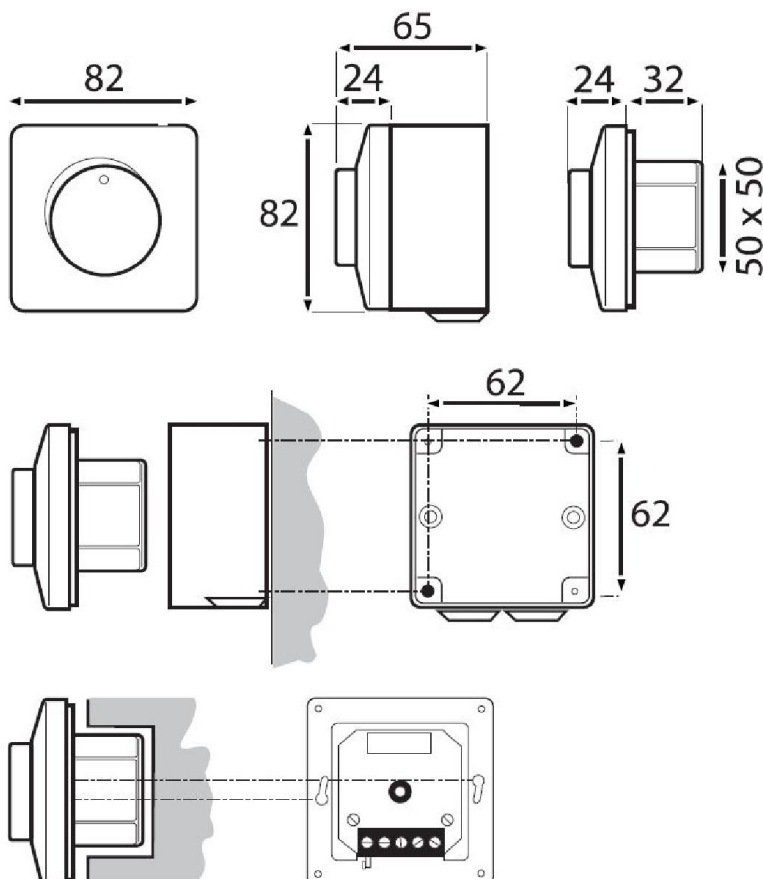


AREB are industrial regulators dedicated for fan speed control in single phase ventilation and heating installations (potentiometer regulation). Devices are equipped with minimum speed adjust, fuse protection (with spare fuse), ON/OFF status LED indicator and regulation position memory. Ignition after pushing the potentiometer. Regulators are dedicated for both: on-wall and in-wall montage. Manufactured in compliance with: EN61000-6-1, EN61000-6-3, EN60669-1 and EN60669-2-1.

Max output current: 2,5 A

Supply voltage: 230 V , 50/60 Hz

Power range: 80 - 460 W



GRAPH OF CONNECTION

- 1 - Power supply 230 50 Hz
- 2 - fuse (fast)
- 3 - Regulated motor output
- 4 - Unregulated output 230V

Because of the constant development of product construction and changes concerning technical requirements, Breve-Tufvassons Company reserves the right to change the parameters mentioned above.