

FEATURES:

- I/O Isolation of 4,000VAC
- Efficiency up to 87%
- Input under voltage lock out
- IGBT dedicated DC-DC converter
- Operating temperature range: -40 to +85°C
- Industrial Standard Pin-out

Picture coming soon

Models
Dual output



Model	Input Voltage (V)	Input current FL (mA)	Output Voltage (V)	Max Output Current (mA)	Max Capacitive Load (uF)	Efficiency (%)
AM5NG-151509DH40-NZ	13.5-16.5	368	+15 / -9	±200	1000	87

NOTE: All specifications in this datasheet are measured at an ambient temperature of 25°C, humidity<75%, nominal input voltage and at rated output load unless otherwise specified.

Input Specifications

Parameters	Nominal	Typical	Maximum	Units
Voltage range	15V Input	13.5-16.5		VDC
Filter	Capacitor			
No Load Input Current	15V Input		20	mA
Input Under Voltage Protection		12		VDC

Isolation Specifications

Parameters	Conditions	Typical	Rated	Units
Tested I/O voltage	60sec, <1mA		4000	VAC
Resistance		>1000		MOhm
Capacitance	1MHz/0.1V	3		pF

Output Specifications

Parameters	Conditions	Typical	Maximum	Units
Voltage accuracy	See Tolerance Graph			%
Output Current	+Io Vin = 15VDC	200	250	mA
	-Io Vin = 15VDC	-200	-250	
Output Voltage	+Vo Vin=15VDC, Pin16 & Pin14 +Io=+200mA	15	13.5~16.5	VDC
	-Vo Vin=15VDC, Pin11 & Pin9 -Io=-200mA	-9	-8.1~-9.9	
Short Circuit protection	Continuous, auto restart			
Line voltage regulation	Full load	±1.2	±1.5	% of Vin
Load voltage regulation	10 – 100% load	±8	±10	%
Temperature coefficient	Full load		±0.03	%/°C
Ripple & Noise	20MHz Bandwidth	80	120	mV p-p

General Specifications

Parameters	Conditions	Typical	Maximum	Units
Switching frequency	100% load	280		kHz
Operating temperature	Without derating	-40 to +85		°C
Storage temperature		-55 to +125		°C
Case temperature Rise	Ta = 25 °C		30	°C
Cooling	Free air convection			
Humidity			95	% RH
Case material	Non-conductive black plastic (UL94V-0 rated)			
Weight		11.4		g
Dimensions (L x W x H)	1.244 x 0.799 x 0.402 inches	31.60 x 20.30 x 10.20 mm		
MTBF	>1,000,000hrs (MIL-HDBK -217F, Ground Benign, t=+25°C)			

Safety Specifications

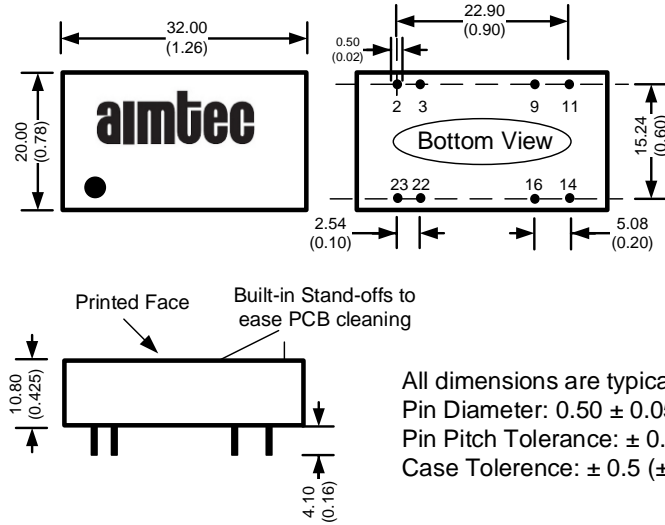
Parameters

Standards	Electrostatic Discharge Immunity	IEC 61000-4-2, Contact +/-4kV, Criteria B
-----------	----------------------------------	---

Pin Out Specifications

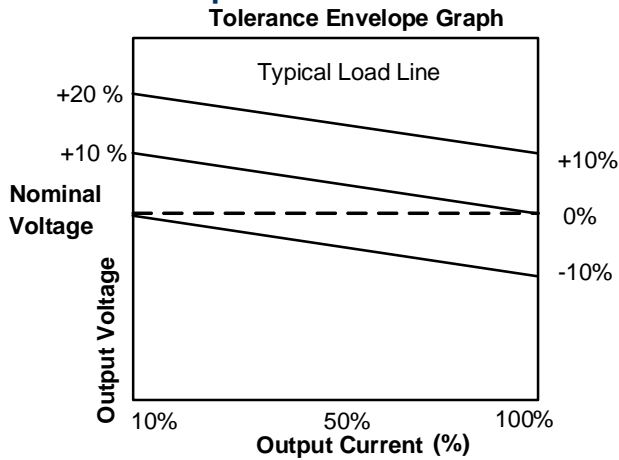
Pin	Single
2	-Vin
3	-Vin
9	Common
11	- V Output
14	+ V Output
16	Common
22	+Vin
23	+Vin

Dimensions

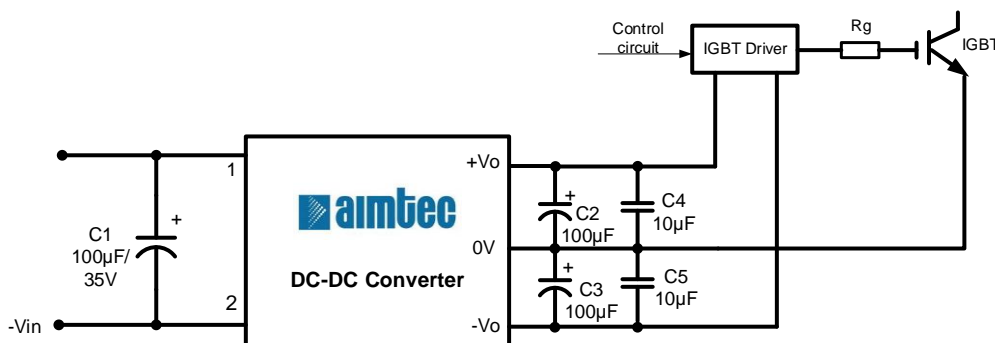


All dimensions are typical: millimeters (inches)
 Pin Diameter: 0.50 ± 0.05 (0.02 ± 0.002)
 Pin Pitch Tolerance: ± 0.35 (± 0.014)
 Case Tolerance: ± 0.5 (± 0.02)

Tolerance Graph



Application Circuit



	Specification
C1	100µF/63V EC
C2,C3	100µF/35V EC
C4,C5	10µF/25V CC

NOTE: **1.** Datasheets are updated as needed and as such, specifications are subject to change without notice. Once printed or downloaded, datasheets are no longer controlled by Aimtec; refer to www.aimtec.com for the most current product specifications. **2.** Product labels shown, including safety agency certifications on labels, may vary based on the date manufactured. **3.** Mechanical drawings and specifications are for reference only. **4.** All specifications are measured at an ambient temperature of 25°C, humidity<75%, nominal input voltage and at rated output load unless otherwise specified. **5.** Aimtec may not have conducted destructive testing or chemical analysis on all internal components and chemicals at the time of publishing this document. CAS numbers and other limited information are considered proprietary and may not be available for release. **6.** This product is not designed for use in critical life support systems, equipment used in hazardous environments, nuclear control systems or other such applications which necessitate specific safety and regulatory standards other the ones listed in this datasheet. **7.** Warranty is in accordance with Aimtec's standard Terms of Sale available at www.aimtec.com.