



ANLY COUNTER

AH5CK / AH5K PRESET COUNTER



ANLY



CHARACTERISTIC :

- Proximity and photoelectric switch compatible
- Seven-segment-display for clear display and effective monitoring
- Protection against power surge and high frequency interference
- Input signal - active-low or active-high input contact (1+4)
- Available on Count Up or Count Down model
- Reset method - shut-off reset or shorting contact (1+3) instantaneous reset
- Memory switch allows users to enable or disable permanent memory function *
- Manual reset button on faceplate *
- UL, C-UL recognized and CE certified *

Note: *indicates applicable to AH5CK series only

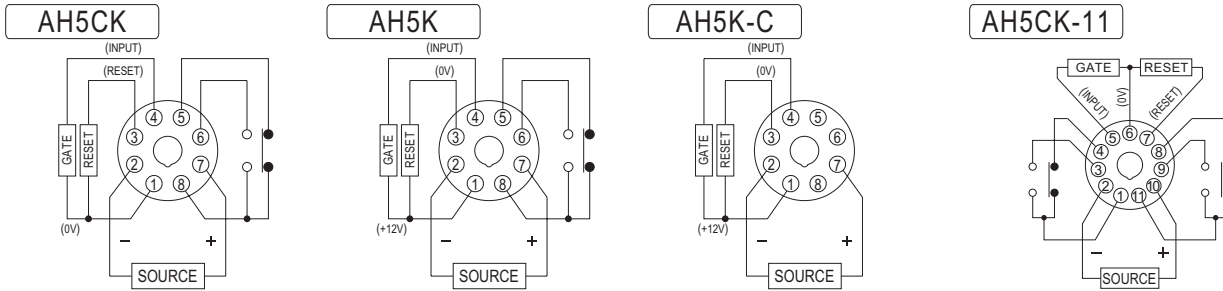
TYPE SELECTION :

SPECIFICATION :

| | |
|-----------------------------------|--|
| Operating voltage | AH5CK AC/DC(V): 12~48 AC/DC(V): 100~240 |
| | AH5K DC(V): 12, 24 AC(V): 12, 24, 110, 220, 240 |
| Allowable operating voltage range | 85~110% of rated operating voltage |
| Rated frequency | 50 / 60 Hz |
| Contact rating | 250VAC 5A (resistive load) |
| Count speed | MAX 60 cps or 200 cps |
| Reset time | MAX 0.1S |
| Power consumption | AH5CK Approx. 2.5VA AH5K, AH5K-C Approx. 2VA |
| Life | Mechanical: 5,000,000 times Electrical: 100,000 times |
| Ambient temperature | -10 ~ +50°C |
| Ambient humidity | MAX 85%RH |
| Weight | AH5CK Approx. 130g AH5K Approx. 170g AH5K-C Approx. 160g |

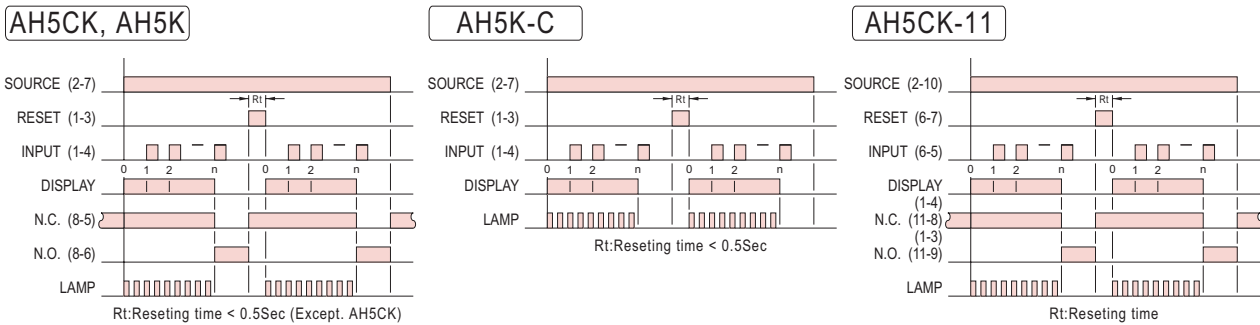
| Display | 4Digits(0~9999) | | | | 3Digits(0~999) | 2Digits(0~99) |
|----------------------------|-----------------|-----------|----------|---------|----------------|---------------|
| Memory | ○ | ○ | ---- | ---- | ---- | ---- |
| Output contact | 1C | 2C | 1C | ---- | 1C | 1C |
| Standard (under 60 cps) | AH5CK | AH5CK-11 | AH5K-4D | AH5K-C | AH5K-3D | AH5K-2D |
| High speed (under 200 cps) | AH5CK-H | AH5CK-11H | AH5K-4DH | AH5K-CH | AH5K-3DH | AH5K-2DH |
| Count down | AH5CK-D | AH5CK-11D | AH5K-4DD | AH5K-CD | AH5K-3DD | AH5K-2DD |
| Auto reset | AH5CK-R | AH5CK-11R | AH5K-4DR | AH5K-CR | AH5K-3DR | AH5K-2DR |

CONNECTION :



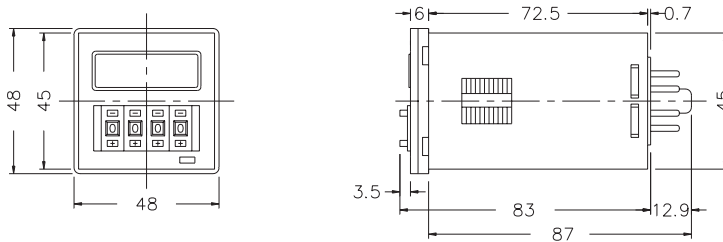
Note: AH5K, AH5K-C: When using Proximity(Type PNP) or photoelectric switch, connect (+) to pin (1), (-) to pin (3) and (OUT) to pin (4)
 AH5CK: When using Proximity(Type NPN) or photoelectric switch, connect (+) to external 12VDC, (-) to pin (1) and (OUT) to pin (4)
 AH5CK-11: When using Proximity(Type NPN) or photoelectric switch, connect (+) to external 12VDC, (-) to pin (6) and (OUT) to pin (5)

TIMING CHART :

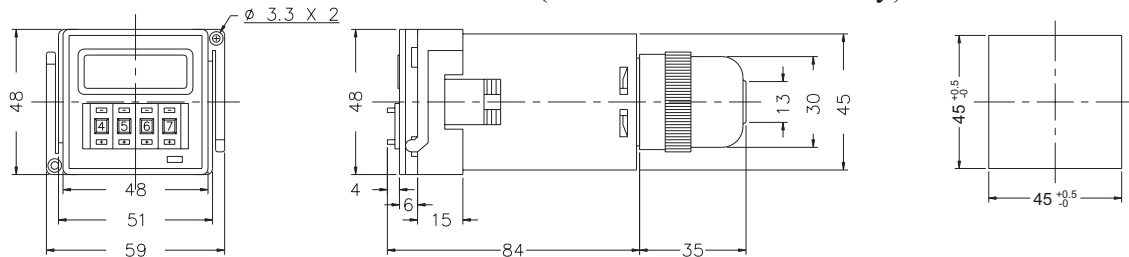


DIMENSIONS : (mm)

N type(Surface Mounting): Using P2CF-08 , PF085A Socket or PF113A Socket(for AH5CK-11 use only)



Y type(Flush Mounting): Using Y50 Frame & US-08 Socket , P3G-08 Socket or P3G-11 Socket(for AH5CK-11 use only)



ANLY ELECTRONICS CO., LTD.

<http://www.anly.com.tw>

TAIWAN MAIN OFFICE : ANLY ELECTRONICS CO., LTD.

No.19, Lane 202, Fushou St., Shinjuang City, Taipei, Taiwan 242
 TEL: +886-2-2996-3202 FAX: +886-2-2996-2017

MALAYSIA BRANCH : JUSTY ELECTRONICS (M) SDN, BHD.

No.1, Jalan 6/89B, Kawasan Perindustrian Trisegi, Batu 3 1/2 Off Jalan Sungei Besi, 57100 Kuala Lumpur, Malaysia
 TEL: +60-3-7983-5758 FAX: +60-3-7981-5052

HONG KONG BRANCH : ANLY ELECTRONICS (HK) LTD.

Flat K, 13/F, Edward Mansion, 141 Prince Edward Road W., Kowloon, Hong Kong
 TEL: +852-2397-2505 FAX: +852-2397-6080

CHINA SALES OFFICE : ANLY TECHNOLOGY (WUXI) CO., LTD.

Room 3D, Zhaofeng Building, No.9, Alley 396, Changning Rd., Changning District, Shanghai, China 200042
 TEL: +86-21-6212-3482 FAX: +86-21-6212-3483