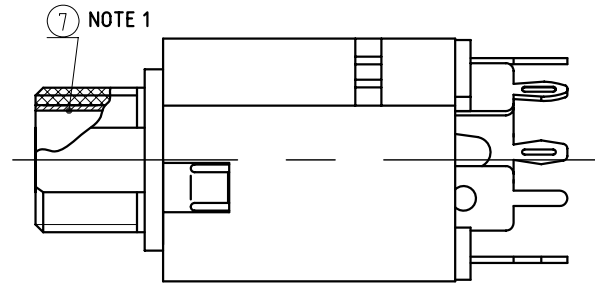
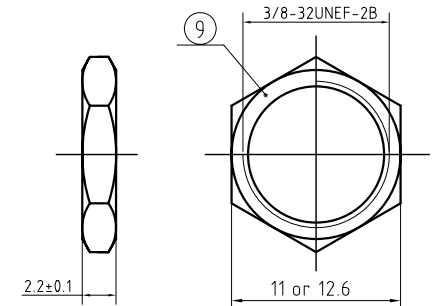


PCB MOUNTING HOLES(±0.1)
(COMPONENT SIDE)



NOTE 1: METAL TUBE IS NOT CONNECTED TO TERMINAL 1



HEX NUT

FLAT WASHER

| PART No. | ACJM-MIV-2 | ACJM-MIV-2S | ACJS-MIV-3 | ACJS-MIV-3S | ACJS-MIV-5 |
|-----------|------------|-------------|------------|-------------|------------|
| SCHEMATIC | | | | | |

| 9 | HEX NUT | 1 | H59 (COPPER ALLOY) | Ni-PLATED(Cu:2-3um, Ni:2-3um) RoHS COMPLIANT |
|-----|-------------|-----|-------------------------------|---|
| 8 | FLAT WASHER | 1 | H62Y OR STEEL t=0.5 | |
| 7 | METAL TUBE | 1 | H59 (COPPER ALLOY) | Ag-PLATED(Cu:2-3um, Ag:0.3um) RoHS COMPLIANT |
| 6 | BODY | 1 | PBT G10 94HB | |
| 5 | 5# TERMINAL | 1 | H62Y t=0.4 (C2680R-H) | |
| 4 | 4# TERMINAL | 1 | H62Y t=0.4 (C2680R-H) | |
| 3 | 3# TERMINAL | 1 | QSn6.5-0.1Y t=0.35 (C5210R-H) | |
| 2 | 2# TERMINAL | 1 | QSn6.5-0.1Y t=0.4 (C5210R-H) | RoHS COMPLIANT |
| 1 | 1# TERMINAL | 1 | QSn6.5-0.1Y t=0.4 (C5210R-H) | |
| NO. | NAME | QTY | MATERIAL(THICK,COLOR) | REMARK |

| UNLESS OTHERWISE SPECIFIED TOLERANCE TO BE | | THIS DOCUMENT IS THE PROPERTY OF AMPHENOL AUSTRALIA PTY. LTD.. NO PART THEREOF MAY BE REPRODUCED AND USED WITHOUT THE PRIOR WRITTEN CONSENT OF THE OWNER | | | | 0 | FIRST ISSUE | M.H | 19-11-09 | ---- |
|--|---------------------------------------|--|----------------|----------|-----------|--------|-------------|--|----------|------|
| LINEAR | ANGULAR | REV. | CHANGE DETAILS | BY | DATE | CHG/No | | | | |
| X ± 0.5 X.X ± 0.1 X.XX ± 0.05 | X° ± 1° X'X' ± 30' X'X'X' ± 15' | 0 | | | | | | | | |
| BREAK ALL SHARP EDGES AND REMOVE ALL BURRS | | CAD FILE: | 55010639000110 | DRN: | M.H | DATE: | 19-11-09 | TITLE: | | |
| DO NOT SCALE | | MATL: | SEE TABLE | CKD: | M.H. | DATE: | 19-11-09 | 6.5mm INSULATED VERTICAL JACK CUSTOMER DRAWING | | |
| DIMENSIONS IN MILLIMETRES | | FINISH: | SEE TABLE | APP'D: | M.H. | DATE: | 19-11-09 | Amphenol Australia Pty Ltd, 2 Fireways Blvd, Keysborough, Vic.3173 | | |
| THIRD ANGLE PROJECTION | | SCALE: | NTS | PART No: | SEE TABLE | SIZE: | A4 | DRAWING NO. 55010639-000-1 SHEET 1 OF 1 | | |