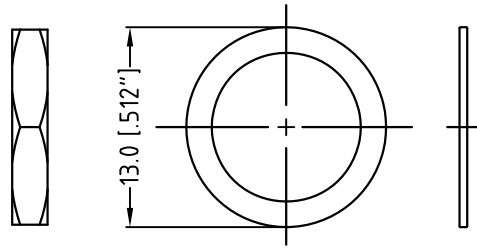
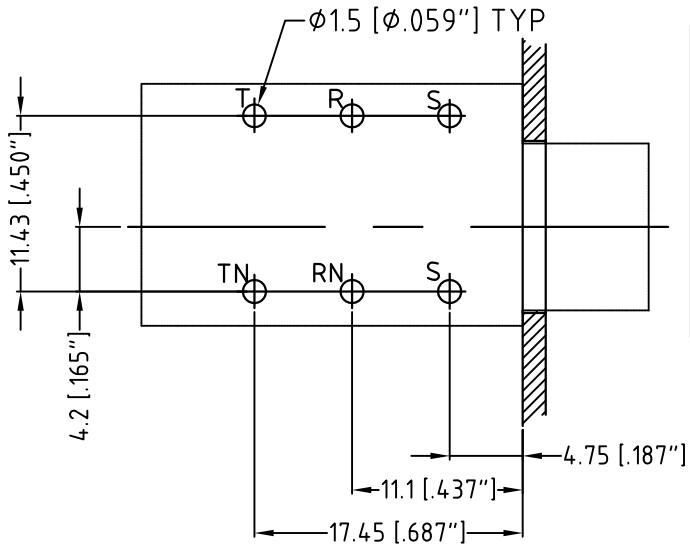
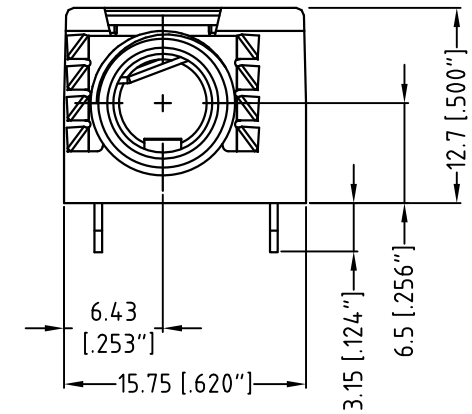
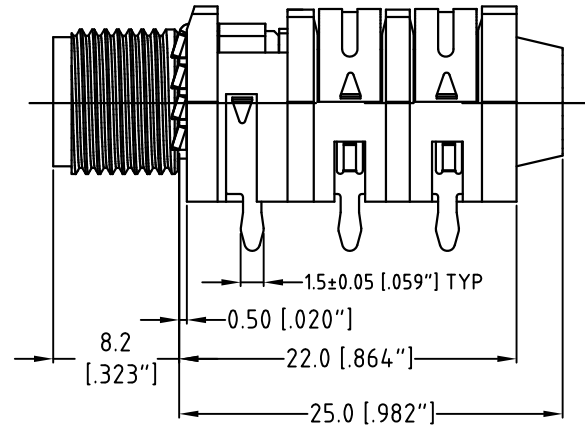


METAL NUT



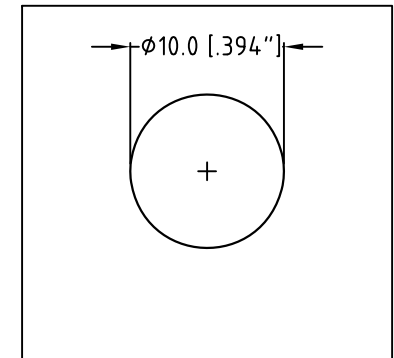
METAL WASHER



RECOMMENDED PCB - LAYOUT

TOLERANCE: ±0.05mm [.002"]

PART NO.	ACJM-LHOM	ACJS-LHOM	NO NUT & WASHER
	ACJM-MHOM	ACJS-MHOM	METAL NUT & WASHER
SCHEMATIC			HARDWARE OPTION



PANEL CUTOUT

2	ADD PART NUMBERS FOR NO HARDWARES	MH	27-03-15	----
1	UPDATE DRAWING TO MEET PRODUCTION PART	MH	10-02-10	----
0	FIRST ISSUE	M.N.H	06-02-07	----
REV.	CHANGE DETAILS	BY	DATE	CHG/No

UNLESS OTHERWISE SPECIFIED TOLERANCE TO BE		THIS DOCUMENT IS THE PROPERTY OF AMPHENOL AUSTRALIA PTY. LTD.. NO PART THEREOF MAY BE REPRODUCED AND USED WITHOUT THE PRIOR WRITTEN CONSENT OF THE OWNER			
LINEAR	ANGULAR	CAD FILE:	DRN:	DATE:	TITLE:
X ± 0.5	X° ± 1°	55010411000112	M.N.H	06-02-07	1/4" PHONE OFFSET JACK
X,X ± 0.2	X°X' ± 30'	MATL: SEE NOTES	CKD: M.H.	DATE: 27-03-15	CUSTOMER DRAWING
X,XX ± 0.1	X°X'X" ± 15'	DO NOT SCALE	FINISH: SEE NOTES	DATE: 27-03-15	
DIMENSIONS IN MILLIMETRES		SCALE: 1:1	APP'D: P.M.	PART No: REFER TO SCHEMATIC	SIZE: A4

Amphenol
 Amphenol Australia Pty Ltd, 22 Industry Blvd, Carrum Downs, Vic.3201
 DRAWING NO. 55010411-000-1
 SHEET 1 OF 1