

1

2

3

4

5

6

A

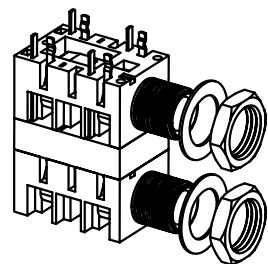
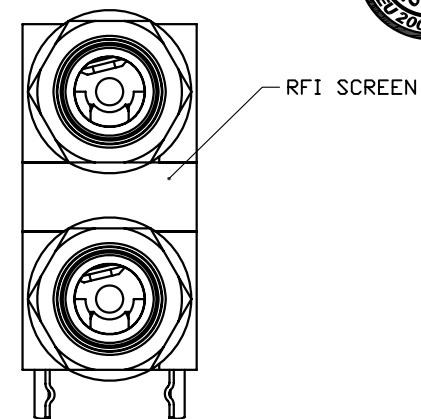
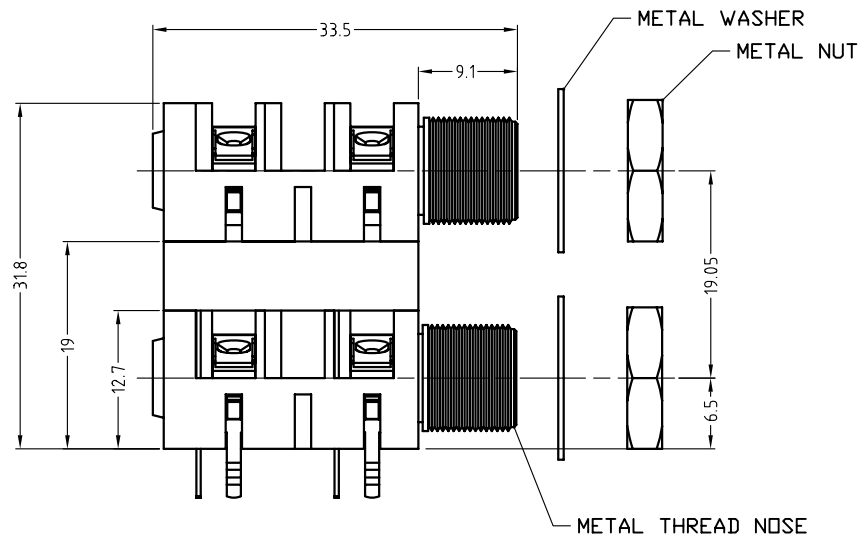
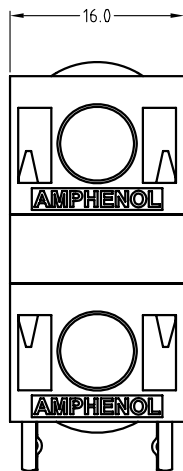
B

C

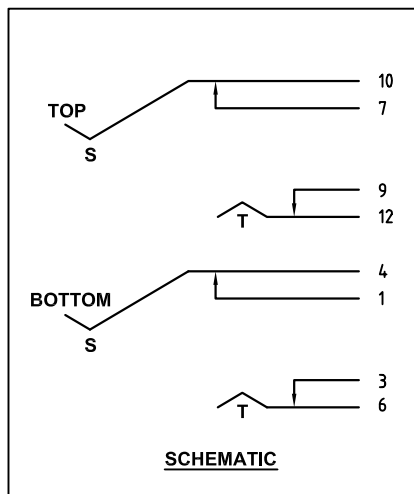
D

E

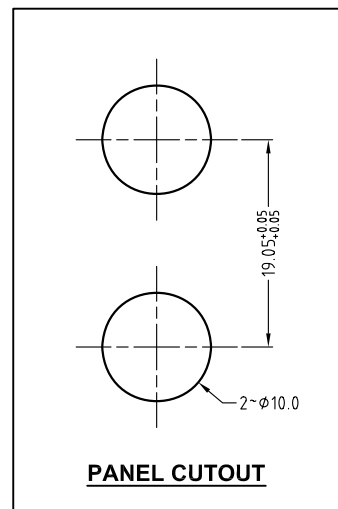
F



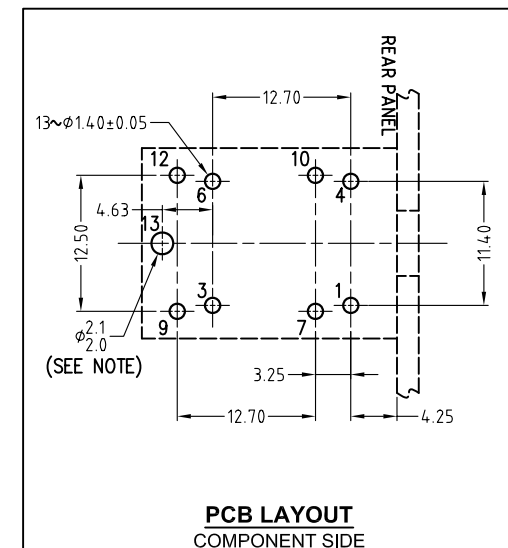
ISO VIEW  
SCALE 1:1



SCHMATIC



PANEL CUTOUT



PCB LAYOUT  
COMPONENT SIDE

NOTE: OPTIONAL MOUNTING HOLE FOR SELF-TAPPING M2 SCREW

CATALOGUE P/N	NUT OPTION
ACJM-LHDM	NO NUT & WASHER
ACJM-MHDM	METAL NUT & WASHER INCLUDED

UNLESS OTHERWISE SPECIFIED TOLERANCE TO BE		THIS DOCUMENT IS THE PROPERTY OF AMPHENOL AUSTRALIA PTY. LTD. NO PART THEREOF MAY BE REPRODUCED AND USED WITHOUT THE PRIOR WRITTEN CONSENT OF THE OWNER				0	FIRST ISSUE	M.H	05-03-10	----
LINEAR	ANGULAR	CAD FILE:	55010659001120	DRN:	M.H	DATE:	05-03-10	BY	DATE	CHG/No
X ± 0.5	X° ± 1°	MATL:	REFER TO COMPONENT	CKD:	M.H	DATE:	05-03-10	TITLE: 1/4" PHONE MONO DUAL JACK CUSTOMER DRAWING		
X.X ± 0.20	X°X' ± 30'	DO NOT SCALE	FINISH: REFER TO COMPONENT	APP'D:	P.M	DATE:	05-03-10	DRAWING No. Amphenol Australia Pty.Ltd, 2 Fireways Blvd, Keysborough, Vic3173		
X.XX ± 0.10	X°X'X" ± 15"	DIMENSIONS IN MILLIMETRES		THIRD ANGLE PROJECTION	SCALE:	2:1 UDS	PART No:	SEE TABLE	SIZE:	A3
								55010659-001-2		SHEET 2 OF 2

1

2

3

4

5

6

A

B

C

D

E

F