



## VIPOW 6V 4Ah



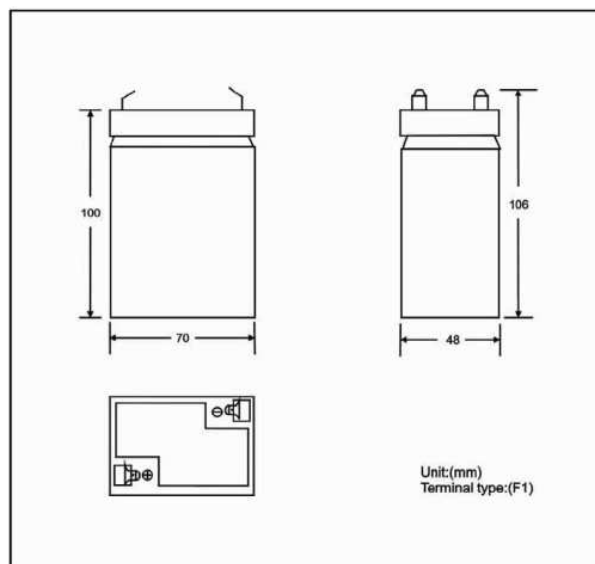
### Specifications

| LP4-6(univ.)                   |                               |       |
|--------------------------------|-------------------------------|-------|
| Nominal Voltage                | 6V                            |       |
| Rated Capacity (20 hours rate) | 4.0Ah                         |       |
| Dimension (±2mm)               | Total Height (with terminals) | 106mm |
|                                | Length                        | 70mm  |
|                                | Width                         | 48mm  |
| Weight (Approx)                | 0.72Kg                        |       |

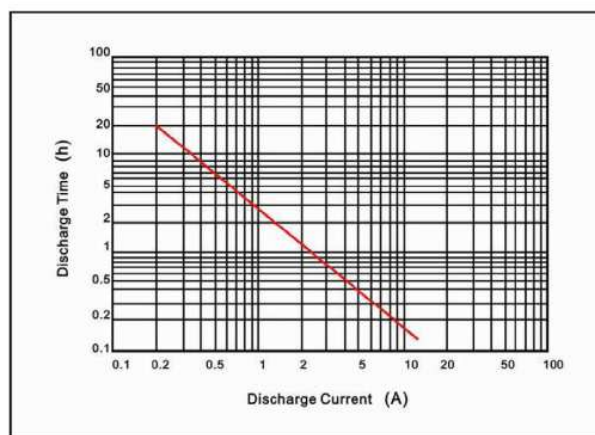
### Characteristics

|  |  |  |
|--|--|--|
| Capacity   | 20 hours rate (0.2A)   | 4Ah  |
| Discharge Current Testing (25°C)                 | 20 I <sub>20</sub> rate (4A, 27min)<br>60 I <sub>20</sub> rate (12A, 7min)                             | 32min<br>7min  |
| Internal Resistance                              | Full Charged Battery 25°C  | 26mΩ   |
| Capacity Affected By Temperature (20 hours rate) | 40°C<br>25°C<br>0°C<br>-15°C   | 102%<br>100%<br>85%<br>62%                                     |
| Residual Capacity (25°C)                         | Capacity After 3 Months Storage<br>Capacity After 6 Months Storage<br>Capacity After 12 Months Storage | 91%<br>82%<br>64%  |
| Cycle (Above 300 Time)                           | Discharge 2hrs at 1.0A Current<br>Charge 6hrs at 0.4A Current (25°C)                                   |  |
| Charge (Constant Voltage)                        | Cycle (25°C)   | Initial Charging Current Less Than 1.2A;<br>Voltage 7.25~7.45V |
|  | Float (25°C)   | Charge Voltage 6.8~6.9V  |

★ The above are average and date obtained from the first 3 charge/discharge cycles. These are not minimum values.



### Discharge Current & Duration Time



### Discharge Current 25°C

