

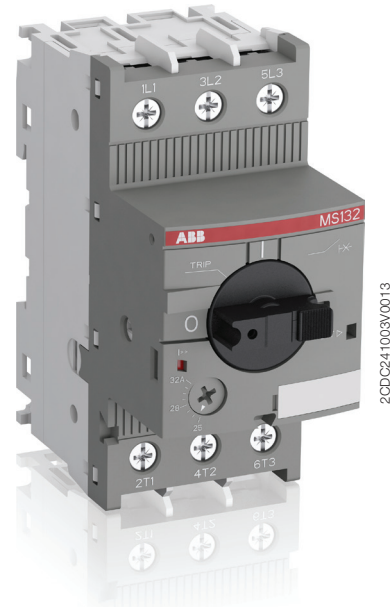
Manual motor starter MS132

Manual motor starters are electro-mechanical protection devices for the main circuit. They are used mainly to switch motors manually ON/OFF and protect them fuse less against short-circuit, overload and phase failures.

Fuse less protection with a manual motor starter saves costs, space and ensures a quick reaction under short-circuit condition, by switching off the motor within milliseconds. Fuse less starter combinations are setup together with contactors.

Description

- Overload protection – trip class 10
- Phase loss sensitivity
- Disconnect function
- Temperature compensation from -25 ... +60 °C
- Adjustable current setting for overload protection
- Suitable for three- and single-phase application
- Trip-free mechanism
- Status indication for short-circuit trip
- Clear switch position indication ON/OFF/TRIP
- Lockable handle



Order data

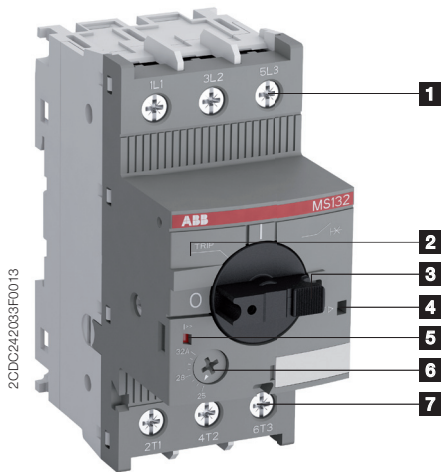
MS132 screw terminal



Setting range	Type	Trip class	Order code	Pack- ing unit	Weight per PCE
A				PCE	kg
0.10...0.16	MS132-0.16	10	1SAM350000R1001	1	0.215
0.16...0.25	MS132-0.25	10	1SAM350000R1002	1	0.215
0.25...0.40	MS132-0.4	10	1SAM350000R1003	1	0.215
0.40...0.63	MS132-0.63	10	1SAM350000R1004	1	0.215
0.63...1.00	MS132-1.0	10	1SAM350000R1005	1	0.215
1.00...1.60	MS132-1.6	10	1SAM350000R1006	1	0.265
1.60...2.50	MS132-2.5	10	1SAM350000R1007	1	0.265
2.50...4.00	MS132-4.0	10	1SAM350000R1008	1	0.265
4.00...6.30	MS132-6.3	10	1SAM350000R1009	1	0.265
6.30...10.0	MS132-10	10	1SAM350000R1010	1	0.265
8.00...12.0	MS132-12	10	1SAM350000R1012	1	0.310
10.0...16.0	MS132-16	10	1SAM350000R1011	1	0.310
16.0...20.0	MS132-20	10	1SAM350000R1013	1	0.310
20.0...25.0	MS132-25	10	1SAM350000R1014	1	0.310
25.0...32.0	MS132-32	10	1SAM350000R1015	1	0.310

Note: MS132 with pre-assembled auxiliary contact HKF1-11, please order as follow 1SAM350005Rxxxx

Functional description



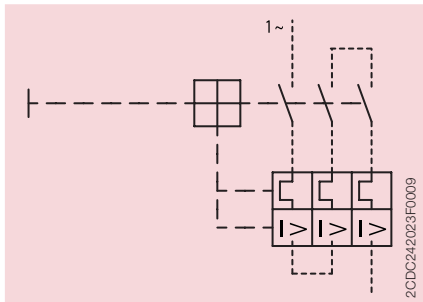
- 1** Terminals 1L1, 3L2, 5L3
- 2** Switch position TRIP
- 3** Lockable handle
- 4** Test function
- 5** Status indication for short-circuit
- 6** Current setting range / Adjustable current setting for overload protection
- 7** Terminals 2T1, 4T2, 6T3

Application

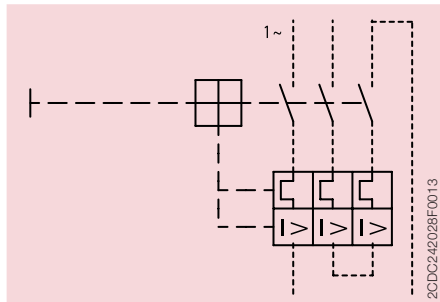
The manual motor starters protect the load and the installation against short-circuit and overload. They are three pole protection devices with thermal tripping elements for overload protection and electromagnetic tripping elements for short-circuit protection. Furthermore, they provide a disconnect function for safely isolation of the installation and the supply and can be used for the manual switching of loads.

The manual motor starters have a setting scale in amperes, which allows the direct adjusting of the device without any additional calculation. In compliance with international and national standards, the setting current is the rated current of the motor and not the tripping current (no tripping at $1.05 \times I$, tripping at $1.2 \times I$; I = setting current).

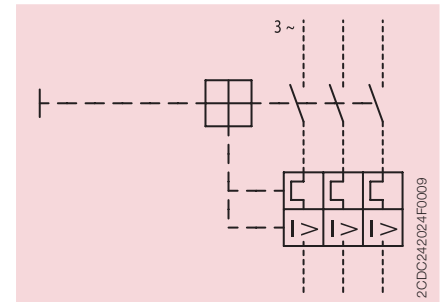
Operation mode



Single-phase operation

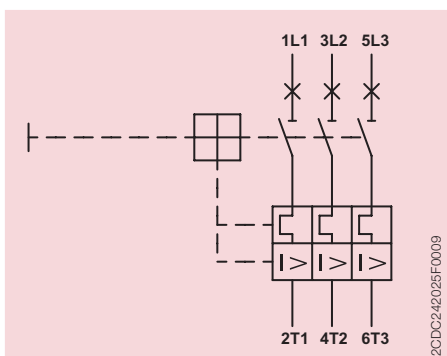


Single-phase operation



Three-phase operation

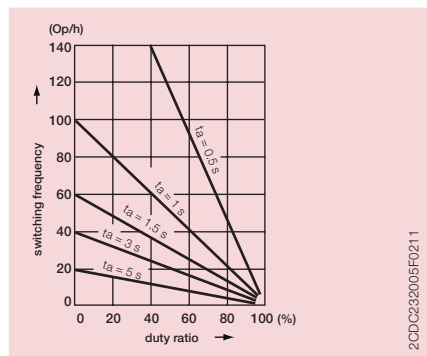
Wiring diagram



Resistance and power loss per pole

Type	Setting range		Resistance per pole Ω	Power loss per pole	
	lower value A	upper value A		at lower value W	at upper value W
MS132-0.16	0.10	0.16	66.00	0.7	1.7
MS132-0.25	0.16	0.25	25.50	0.7	1.6
MS132-0.4	0.25	0.40	10.38	0.6	1.7
MS132-0.63	0.40	0.63	4.36	0.7	1.7
MS132-1.0	0.63	1.00	1.605	0.6	1.6
MS132-1.6	1.00	1.60	0.648	0.6	1.7
MS132-2.5	1.60	2.50	0.292	0.7	1.8
MS132-4.0	2.50	4.00	0.114	0.7	1.8
MS132-6.3	4.00	6.30	0.046	0.7	1.8
MS132-10	6.30	10.0	0.020	0.8	2.0
MS132-12	8.00	12.0	0.016	1.0	2.3
MS132-16	10.0	16.0	0.011	1.1	2.8
MS132-20	16.0	20.0	0.0057	1.5	2.3
MS132-25	20.0	25.0	0.0045	1.8	2.8
MS132-32	25.0	32.0	0.0030	1.9	3.1

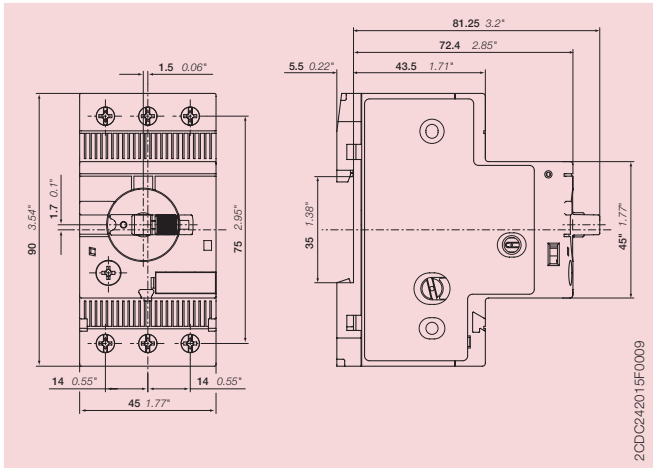
Technical diagram



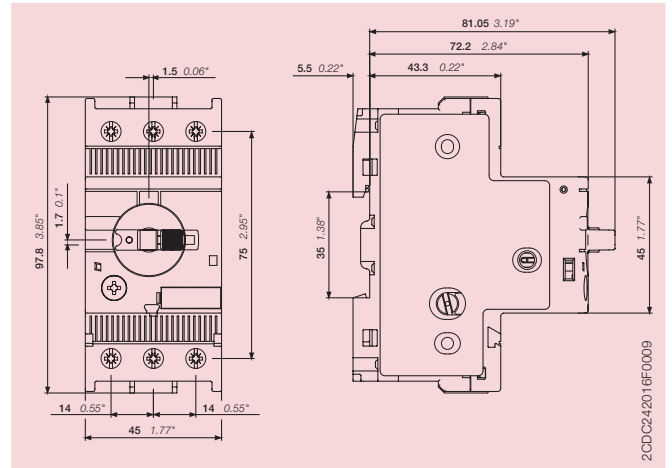
Intermittent periodic duty, t_a : Motor starting time

Dimensions

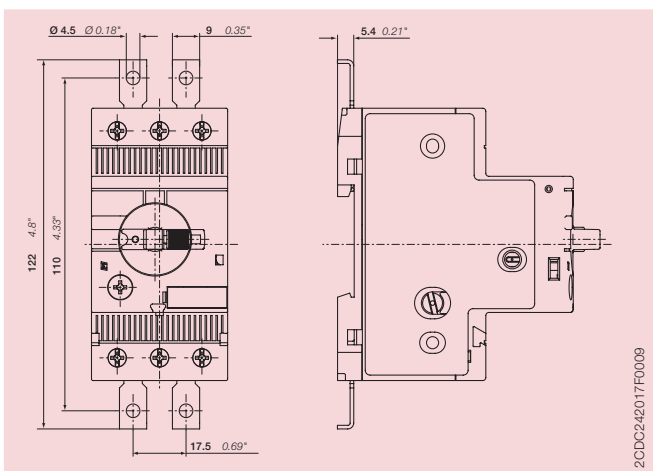
in mm / inches



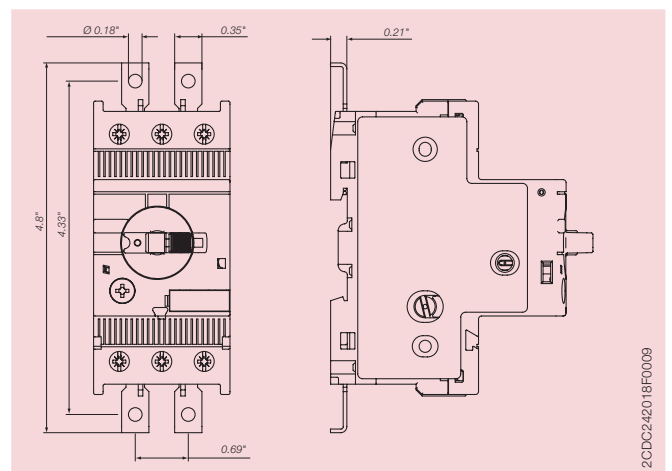
MS132 ≤ 10 A



MS132 > 10 A



MS132 ≤ 10 A with screw fixing kit FS116 (accessory)



MS132 > 10 A + with screw fixing kit FS116 (accessory)

Technical data IEC/EN

Data at $T_A = 40\text{ °C}$ and at rated values, if nothing else indicated

Main circuit

	1L1-3L2-5L3 2T1-4T2-6T3
Rated operational voltage U_e	690 V AC 250 V DC
Setting range - thermal overload protection	see table "Order data" on page 1
Rated operational current I_e	see table below
Rated operational current DC-5 I_e	see "Rated operational current I_e "
3 conducting paths in series up to 250 V	
Rated instantaneous short-circuit current setting I_i	see table below
Rated service short-circuit breaking capacity I_{cs}	see table "Short-circuit breaking capacity and back-up fuses" on page 7
Rated ultimate short-circuit breaking capacity I_{cu}	
Rated service short-circuit breaking capacity DC I_{cs}	10 kA
3 conducting paths in series up to 250 V	
Trip class	see table "Order data" on page 1
Rated frequency	DC, 50/60 Hz
Number of poles	3
Resistance per pole	see table "Resistance and power loss per pole"
Power loss per pole	on page 3

Isolation data	
Rated impulse withstand voltage U_{imp}	6 kV
Rated insulation voltage U_i	690 V
Pollution degree	3

Electrical connection		MS132 ≤ 10 A	MS132 ≥ 12 A
Connecting capacity	solid	1/2 x 1 ... 4 mm ²	1/2 x 1 ... 2.5 mm ² 1/2 x 2.5 ... 6 mm ²
	stranded	1/2 x 1 ... 4 mm ²	1/2 x 1 ... 6 mm ² 1/2 x 2.5 ... 6 mm ²
	flexible with ferrule	1/2 x 0.75 ... 2.5 mm ²	1/2 x 0.75 ... 6 mm ²
	flexible with ferrule insulated	1/2 x 0.75 ... 2.5 mm ²	1/2 x 0.75 ... 6 mm ²
	flexible without ferrule	1/2 x 0.75 ... 2.5 mm ²	1/2 x 1 ... 2.5 mm ² 1/2 x 2.5 ... 6 mm ²
	Stripping length		9 mm
Tightening torque		0.8 ... 1.2 Nm	2 Nm
Recommended screw driver		M3.5	M4

Type	Rated instantaneous short-circuit current setting I_i A	Rated operational current I_e A
MS132-0.16	2.00	0.16
MS132-0.25	3.13	0.25
MS132-0.4	5.00	0.40
MS132-0.63	7.88	0.63
MS132-1.0	12.50	1.00
MS132-1.6	20.00	1.60
MS132-2.5	31.25	2.50
MS132-4.0	50.00	4.00
MS132-6.3	78.75	6.30
MS132-10	150	10.0
MS132-12	180	12.0
MS132-16	240	16.0
MS132-20	300	20.0
MS132-25	375	25.0
MS132-32	480	32.0

General data

Mechanical durability		100000
Electrical durability		50000
Duty time		100 %
Operating frequency without early tripping		up to 15 operations/h or 60 operations/h with 40 % duty ratio, if the motor breaking current $6 \times I_n$ and the motor starting time does not exceed 1 s
Dimensions (W x H x D)		see drawing "Dimensions" on page 4
Weight		see table "Order data" on page 1
Mounting		DIN-rail (EN 60715)
Mounting position		position 1-6 (optional for single mounting)
Group mounting		on request
Minimum distance to other units same type	horizontal	0 mm
	vertical	150 mm
Minimum distance to electrical conductive board	horizontal, up to 400 V	0 mm
	horizontal, up to 690 V	> 1.5 mm
	vertical	75 mm
Degree of protection	housing	IP20
	main circuit terminals	IP10
Utilization category		A
Maximum operating altitude permissible		2000 m
Maximum operating frequency		170 cycles/h

Electromagnetic compatibility

Electromagnetic compatibility		not applicable
-------------------------------	--	----------------

Environmental data

Ambient air temperature		
Operation	open - compensated	-25 ... +60 °C
	open	-25 ... +70 °C
	enclosed (IB132)	0 ... +40 °C
Storage		-50 ... +80 °C
Ambient air temperature compensation		acc. to IEC/EN 60947-4-1
Resistance to vibrations acc. to IEC 60068-2-6		5g / 3 ... 150 Hz
Resistance to shock acc. to IEC 60068-2-27		25g / 11 ms

Standards / directives

Standards		IEC/EN 60947-1
		IEC/EN 60947-2
		IEC/EN 60947-4-1
		UL 60947-1
		UL 60947-4-1
Low Voltage Directive		2006/95/EC
EMC Directive		2004/108/EC
RoHS Directive		2002/95/EC

Short-circuit breaking capacity and back-up fuses

I_{CS} Rated service short-circuit breaking capacity

I_{CU} Rated ultimate short-circuit breaking capacity

° No back-up fuse required, because short-circuit proof up to 100 kA

Type	230 V AC			400 V AC			440 V AC			500 V AC			690 V AC		
	I_{CS} kA	I_{CU} kA	gG A	I_{CS} kA	I_{CU} kA	gG A	I_{CS} kA	I_{CU} kA	gG A	I_{CS} kA	I_{CU} kA	gG A	I_{CS} kA	I_{CU} kA	gG A
MS132-0.16	100	100	°	100	100	°	100	100	°	100	100	°	100	100	°
MS132-0.25	100	100	°	100	100	°	100	100	°	100	100	°	100	100	°
MS132-0.4	100	100	°	100	100	°	100	100	°	100	100	°	100	100	°
MS132-0.63	100	100	°	100	100	°	100	100	°	100	100	°	100	100	°
MS132-1.0	100	100	°	100	100	°	100	100	°	100	100	°	100	100	°
MS132-1.6	100	100	°	100	100	°	100	100	°	100	100	°	100	100	°
MS132-2.5	100	100	°	100	100	°	100	100	°	100	100	°	100	100	°
MS132-4.0	100	100	°	100	100	°	20	20	35	20	20	35	3	3	32
MS132-6.3	100	100	°	100	100	°	20	20	63	20	20	63	3	3	50
MS132-10	100	100	°	100	100	°	20	20	100	20	20	100	3	3	50
MS132-12	100	100	°	100	100	°	20	20	100	20	20	100	3	3	63
MS132-16	100	100	°	100	100	°	20	20	125	20	20	125	3	3	63
MS132-20	100	100	°	100	100	°	20	20	125	20	20	125	3	3	80
MS132-25	50	50	125	50	50	125	20	20	125	10	10	125	3	3	100
MS132-32	25	50	125	25	50	125	20	20	125	10	10	125	3	3	100

Technical data UL/CSA

Main circuit

Maximum operational voltage	600 V	
Manual Motor Controller ratings	see table "UL 508 – Manual Motor Controller" on page <?>	
Motor ratings	Horse power	see table below
	Full load amps (FLA)	see table below
	Locked rotor amps (LRA)	see table below

Electrical connection		MS132 ≤ 10 A	MS132 ≥ 12 A
Connecting capacity	stranded	1/2 x AWG 16 ... 12	1/2 x AWG 16 ... 8
	flexible without ferrule	1/2 x AWG 16 ... 12	1/2 x AWG 16 ... 8
Stripping length		9 mm	10 mm
Tightening torque		10 ... 12 lb-in	18 lb-in
Recommended screw driver		M3.5	M4

Motor rating, single phase

hp Horse power

FLA Full load amps

LRA Locked rotor amps

Type	120 V AC			220 ... 240 V AC		
	hp	FLA	LRA	hp	FLA	LRA
MS132-0.16	-	0.16	0.96	-	0.16	0.96
MS132-0.25	-	0.25	1.5	-	0.25	1.5
MS132-0.4	-	0.4	2.4	-	0.4	2.4
MS132-0.63	-	0.63	3.78	-	0.63	3.78
MS132-1.0	-	1	6	-	1	6
MS132-1.6	-	1.6	9.6	1/10	1.6	9.6
MS132-2.5	-	2.5	15	1/6	2.5	15
MS132-4.0	1/8	4	24	1/3	4	24
MS132-6.3	1/4	6.3	37.8	1/2	6.3	37.8
MS132-10	1/2	9.8	58.8	1-1/2	10	60
MS132-12	1/2	9.8	58.8	2	12	72
MS132-16	1	16	96	2	12	72
MS132-20	1-1/2	20	120	3	17	92
MS132-25	2	24	144	3	17	127
MS132-32	2	24	144	5	28	162

Motor rating, three phase

hp Horse power

FLA Full load amps

LRA Locked rotor amps

Type	220 ... 240 V AC			440 ... 480 V AC			550 ... 600 V AC		
	hp	FLA	LRA	hp	FLA	LRA	hp	FLA	LRA
MS132-0.16	-	0.16	0.96	-	0.16	0.96	-	0.16	0.96
MS132-0.25	-	0.25	1.5	-	0.25	1.5	-	0.25	1.5
MS132-0.4	-	0.4	2.4	-	0.4	2.4	-	0.4	2.4
MS132-0.63	-	0.63	3.78	-	0.63	3.78	-	0.63	3.78
MS132-1.0	-	1	6	-	1	6	1/2	1	6
MS132-1.6	-	1.6	9.6	3/4	1.6	9.6	3/4	1.6	9.6
MS132-2.5	1/2	2.5	15	1	2.5	15	1-1/2	2.5	15
MS132-4.0	1	4	24	2	4	24	3	3.9	26
MS132-6.3	1-1/2	6.3	37.8	3	4.8	32	5	6.1	37
MS132-10	3	9.6	64	5	7.6	46	7-1/2	9	51
MS132-12	3	9.6	64	7-1/2	11	64	10	11	65
MS132-16	5	15.2	92	10	14	81	10	11	65
MS132-20	5	15.2	92	10	14	81	15	17	93
MS132-25	7-1/2	22	127	15	21	116	20	22	116
MS132-32	10	28	162	20	27	145	25	27	146

Manual Motor Controller for Motor Disconnect

Type	Maximum short-circuit current rating	
	480 V	600 V
	kA	kA
MS132-0.16	65	47
MS132-0.25	65	47
MS132-0.4	65	47
MS132-0.63	65	47
MS132-1.0	65	47
MS132-1.6	65	47
MS132-2.5	65	47
MS132-4.0	65	47
MS132-6.3	65	18
MS132-10	65	18
MS132-12	30	18
MS132-16	30	18
MS132-20	30	18
MS132-25	30	18
MS132-32	30	18

Manual Motor Controller for Group Installation

Type	Maximum short-circuit current rating	
	480 V	600 V
	kA	kA
MS132-0.16	65	47
MS132-0.25	65	47
MS132-0.4	65	47
MS132-0.63	65	47
MS132-1.0	65	47
MS132-1.6	65	47
MS132-2.5	65	47
MS132-4.0	65	47
MS132-6.3	65	18
MS132-10	65	18
MS132-12	30	18
MS132-16	30	18
MS132-20	30	18
MS132-25	30	18
MS132-32	30	18

Manual Motor Controller for Group Installation in combination with current limiter S803W-SCLxxx-SR

Type	Maximum short-circuit current rating	
	480 V	600 V
	kA	kA
MS132-0.16	65	65
MS132-0.25	65	65
MS132-0.4	65	65
MS132-0.63	65	65
MS132-1.0	65	65
MS132-1.6	65	65
MS132-2.5	65	65
MS132-4.0	65	65
MS132-6.3	65	65
MS132-10	65	65
MS132-12	65	65
MS132-16	65	65
MS132-20	65	65
MS132-25	65	65
MS132-32	65	65

Self-Protected Combination Motor Controller (Type E) and Combination Motor Controller (Type F)

Type	UL 508 Self-Protected Combination Motor Controller (Type E) in combination with feeder block S1-M3-xx		UL 508 Combination Motor Controller (Type F)		Minimum contactor size	UL 508 Manual Motor Controller for Tap Conductor Protection	
	Maximum short-circuit current rating		Maximum short-circuit current rating			Maximum short-circuit current rating	
	480Y / 277 V	600Y / 347 V	480Y / 277 V	600Y / 347 V			480 V
	kA	kA	kA	kA	kA	kA	
MS132-0.16	65	47	65	47	AF26...AF38	65	47
MS132-0.25	65	47	65	47	AF26...AF38	65	47
MS132-0.4	65	47	65	47	AF26...AF38	65	47
MS132-0.63	65	47	65	47	AF26...AF38	65	47
MS132-1.0	65	47	65	47	AF26...AF38	65	47
MS132-1.6	65	47	65	47	AF26...AF38	65	47
MS132-2.5	65	47	65	47	AF26...AF38	65	47
MS132-4.0	65	47	65	47	AF26...AF38	65	47
MS132-6.3	65	18	65	47	AF26...AF38	65	18
MS132-10	65	18	65	47	AF26...AF38	65	18
MS132-12	30	-	30	-	AF26...AF38	30	18
MS132-16	30	-	30	-	AF26...AF38	30	18
MS132-20	30	-	30	-	AF26...AF38	30	18
MS132-25	30	-	30	-	AF26...AF38	30	18
MS132-32	30	-	30	-	AF26...AF38, A40	30	18

Self-Protected Combination Motor Controller (Type E) and Combination Motor Controller (Type F) in combination with current limiter S803W-SCLxxx-SR

Type	UL 508 Self-Protected Combination Motor Controller (Type E) in combination with current limiter S803W-SCLxxx-SR		UL 508 Combination Motor Controller (Type F) in combination with current limiter S803W-SCLxxx-SR		Minimum contactor size
	Maximum short-circuit current rating		Maximum short-circuit current rating		
	480Y / 277 V		480Y / 277 V		
	kA		kA		
MS132-0.16	65		65		AF26...AF38
MS132-0.25	65		65		AF26...AF38
MS132-0.4	65		65		AF26...AF38
MS132-0.63	65		65		AF26...AF38
MS132-1.0	65		65		AF26...AF38
MS132-1.6	65		65		AF26...AF38
MS132-2.5	65		65		AF26...AF38
MS132-4.0	65		65		AF26...AF38
MS132-6.3	65		65		AF26...AF38
MS132-10	65		65		AF26...AF38
MS132-12	65		-		-
MS132-16	65		-		-
MS132-20	65		-		-
MS132-25	65		-		-
MS132-32	65		-		-

Contact us

ABB STOTZ-KONTAKT GmbH

Eppelheimer Straße 82
69123 Heidelberg, Germany
Phone: +49 (0) 6221 7 01-0
Fax: +49 (0) 6221 7 01-13 25
E-Mail: info.desto@de.abb.com

You can find the address of your
local sales organization on the
ABB home page
<http://www.abb.com/contacts>
-> Low Voltage Products and Systems

Note:

We reserve the right to make technical changes or modify the contents of this document without prior notice. With regard to purchase orders, the agreed particulars shall prevail. ABB AG does not accept any responsibility whatsoever for potential errors or possible lack of information in this document.

We reserve all rights in this document and in the subject matter and illustrations contained therein. Any reproduction, disclosure to third parties or utilization of its contents – in whole or in parts – is forbidden without prior written consent of ABB AG.

Copyright© 2016 ABB
All rights reserved