


ebm-papst Mulfingen GmbH & Co. KG

Bachmühle 2
 74673 Mulfingen
 Phone: +49 7938 81-0
 Fax: +49 7938 81-110
 www.ebmpapst.com
 info1@de.ebmpapst.com

Nominal data

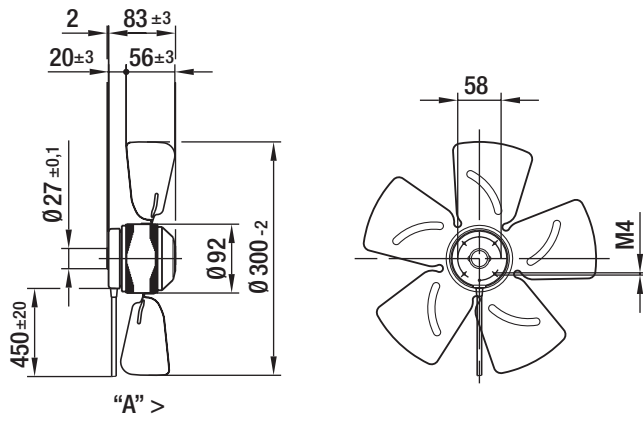
Type	A4E300-AA01-02		
Motor	M4E068-DF		
Phase		1~	1~
Nominal voltage	[V]	230	230
Frequency	[Hz]	50	60
Type of data definition		rfa	rfa
Valid for approval / standard		CE	CE
Speed	[min ⁻¹]	1350	1450
Power input	[W]	95	105
Current draw	[A]	0,44	0.47
Motor capacitor	[μF]	3	2
Capacitor voltage	[VDB]	400	400
Capacitor standard		P0 (CE)	P0 (CE)
Max. back pressure	[Pa]	120	100
Max. ambient temperature	[°C]	45	40
Air flow	[m ³ /h]	1690	1830
Back pressure	[Pa]	0	0
Sound pressure level	[dB(A)]	65	66

ml = max. load · me = max. efficiency · rfa = running at free air · cs = customer specs · cu = customer unit
 Subject to alterations

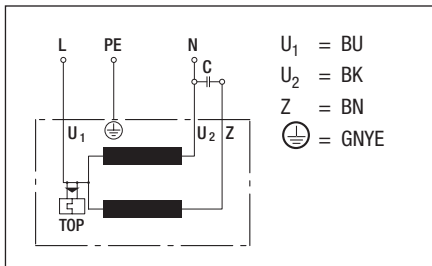
Technical features

Size	300 mm
Operation mode	Continuous operation (S1)
Direction of rotation	Clockwise, seen on rotor
Direction of air flow	"A"
Insulation class	"B"
Cable exit	Variable
Bearing motor	Ball bearing
Mass	2.3 kg
Material of impeller	Sheet steel, coated in black
Motor protection	Thermal overload protector (TOP) wired internally
Product conforming to standard	CE
Number of blades	5
Type of protection	IP 44 - depending on position
Protection class	I
Approval	CCC

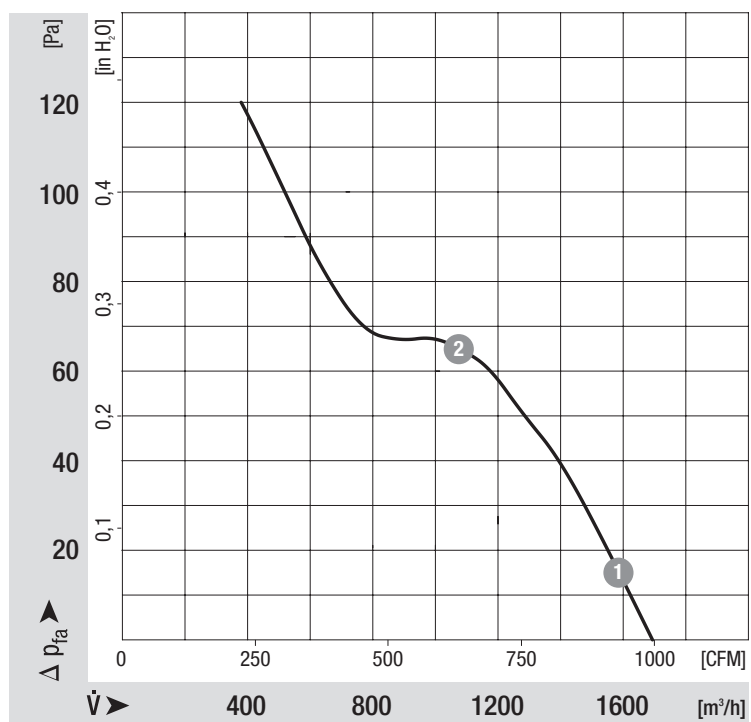
Product drawing



Connection screen



Charts: Air flow 50 Hz



Measured values

	n	P ₁	I
	[min ⁻¹]	[W]	[A]
1	1345	96	0.43
2	1315	101	0.45

Charts: Air flow 60 Hz

