

# THREE PHASE SPEED CONTROLLERS

# A3RW

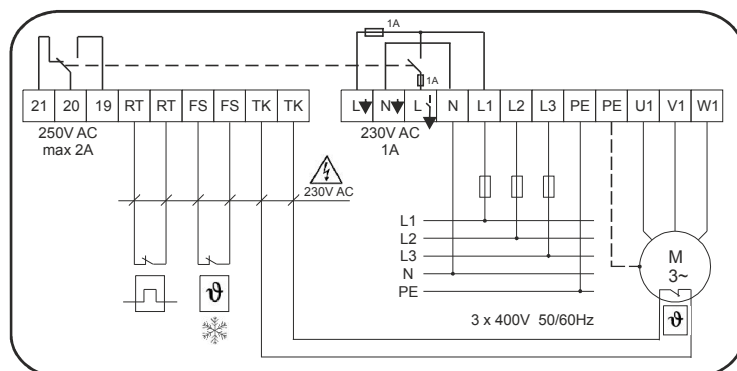
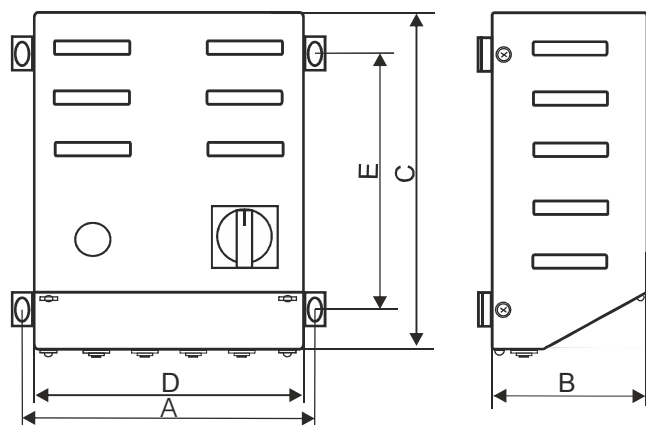


Autotransformer regulators serve the purpose of airflow control, fitted in three-phase ventilation and heating systems. The transformers are made with protection grade IP21, and equipped with indicator light. Maximum ambient temperature 25°C. Thermal class of insulation B (130°C). Manufactured in compliance with EN 61558-2-13.

**Rated current SEC:** 1,5 - 14 A

**Supply voltage:** 3x400 V 50/60 Hz

**Rated voltage SEC:** 5-step regulation



Typ	Upri [V]	Current [A]	Step of regulation Ur[V]					Dimensions [mm] AxBxCxDxE	Weight [kg]
			1	2	3	4	5		
A3RW 1,5/IP21	3 x 400	1,5	95	145	190	240	400	215x135x250x200x190	10
A3RW 2,0/IP21	3 x 400	2	95	145	190	240	400	215x135x250x200x190	11,7
A3RW 4,0/IP21	3 x 400	4	95	145	190	240	400	315x185x300x300x190	15
A3RW 5,0/IP21	3 x 400	5	95	145	190	240	400	315x185x300x300x190	18
A3RW 7,0/IP21	3 x 400	7	95	145	190	240	400	315x185x300x300x190	21
A3RW 10,0/IP21	3 x 400	10	95	145	190	240	400	415x215x300x400x190	31
A3RW 14,0/IP21	3 x 400	14	95	145	190	240	400	415x215x300x400x190	38

As a result of constant development of product construction and changes concerning technical requirements, Breve Tufvassons reserves the right to change the parameters mentioned above.

