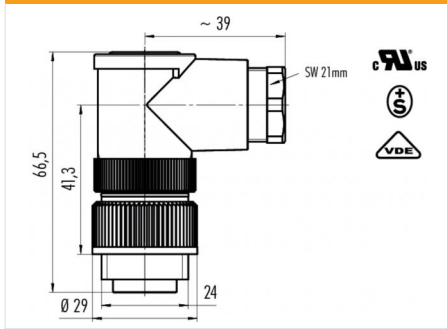


Product **Polzahl: 3+PE, Winkelstecker PG 13,5, mit VDE, SEV, UL Zulassung, schrauben**
 Area **RD24 Power Series 692/693**
 Article number **99 4221 215 04**

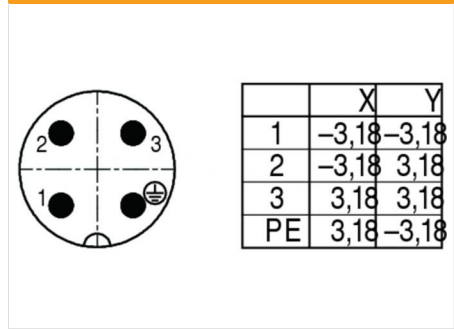
Illustration



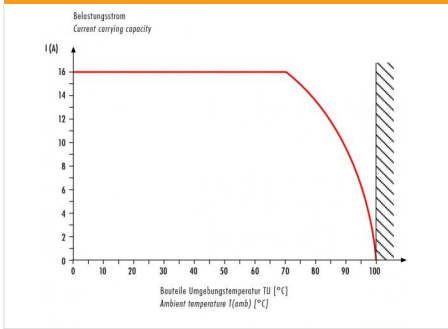
Scale drawing



Contact Arrangement



Attenuation characteristics



You can find the item description on the next page.

Technical data

General features

Connector Design male angled connector
 Connector locking system bolted
 Termination crimp
 Wire gauge (mm) 0,5-2,5 mm²
 Wire gauge (AWG) 20-14
 Cable outlet 10 - 12 mm
 Upper temperature 100 °C
 Lower temperature -40 °C

Cable data

Approval 1 UL
 Approval 2 ESTI+
 Approval 3 VDE

Electrical parameters

Rated voltage 600 V
 Rated impulse voltage 6000 V
 Pollution degree 3
 Overvoltage category III
 Material group III
 Rated current (40°C) 16 A (12 A UL)
 Volume resistivity ≤ 5 mΩ
 EMV compliance not shielded
 Degree of protection IP67
 Mechanical operation > 50 Mating cycles

Material

Material of contact CuZn (Messing)
 Contact plating Ag (silver)
 Material of contact body PBT (UL 94 V-0)

Product **Polzahl: 3+PE, Winkelstecker PG 13,5, mit VDE, SEV, UL Zulassung, schrauben**
Area **RD24 Power Series 692/693**
Article number **99 4221 215 04**

Item description

