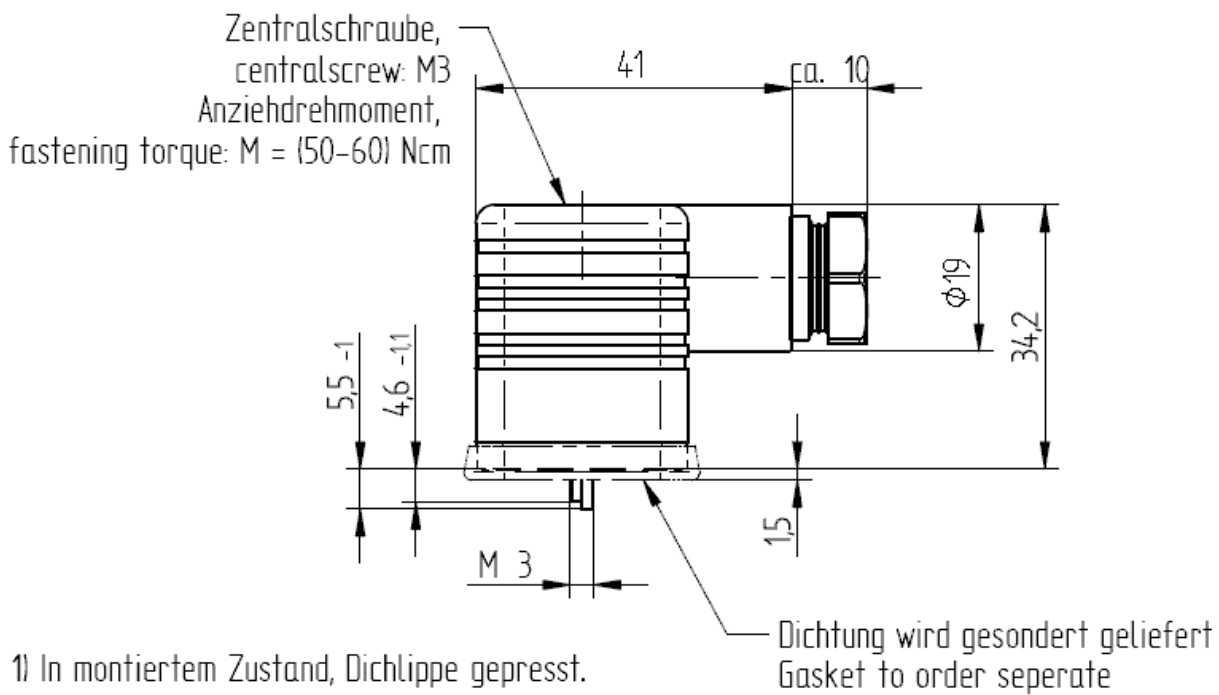
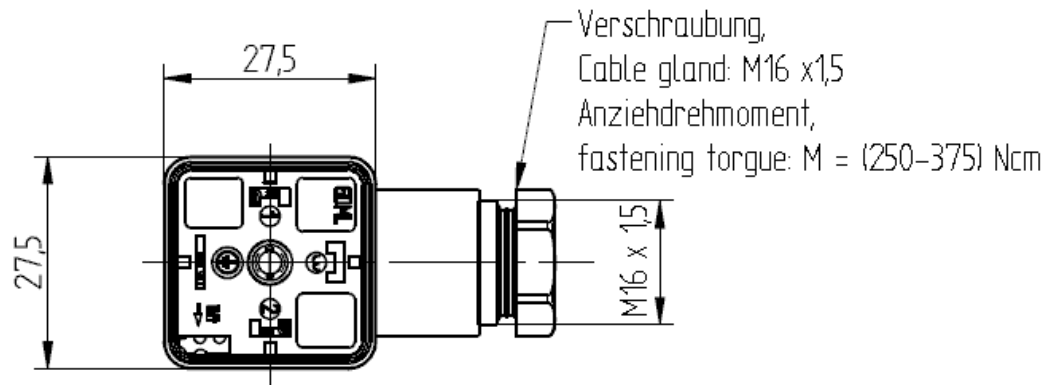
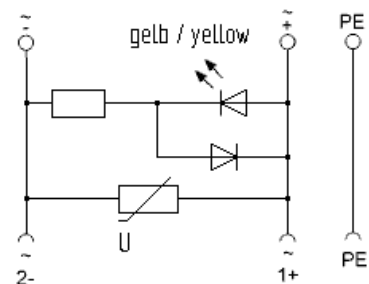


RoHS ✓



- 1) In montiertem Zustand, Dichlippe gepresst.
When mounted, sealing lip pressed.
- 2) Im Lieferzustand, Dichlippe nicht gepresst.
In delivery condition, sealing lip not pressed.



The information/details in this datasheet merely contain general descriptions or performance factors which, when applied in an actual situation, do not always correspond with the described form, and may be amended by way of the further development of products. The desired performance factors shall only be binding if these are expressly agreed on conclusion of the contract.



Product description

Description	Cable socket angled
Type	GDML 2016 LED 120 VR YE...
Order No	934-424-..., see standard products
Type of contacts	female
Number of contacts	2+PE
Cable gland	M16x1,5, color see standard products
Conductor size	max. 1,5 mm ²
Standard	DIN EN 175301-803-A
Color housing	semi-transparent

Description of wiring

Function indicator	LED yellow, current drain <10 mA
Protective circuit	Varistor, clamping voltage:240V ±10%

Technical data

Clearance / Creepage distance	DIN EN 60664-1 (2008/01); VDE 0110-1
Rated voltage	UC 120V
Rated current *	8A
Pollution degree	3 acc. to DIN EN 60664-1 (VDE 0110-1)
Type of connection	screw terminal
Mating cycles	max. 50
Suitable cables	Ø4,5 mm to Ø10 mm
Mounting	Central screw M 3

* Notice derating

** notice polarity when connected to DC.

Materials

Contact	CuZn
Contact plating	Cu/Sn
Contact bearer	PA 6 GF
Housing	PA 6 GF
Cable gland screw	PA 6 GF
Central screw	4.8 , Fe/Zn B
Gasket(s)	NBR

Environmental conditions

Protection class (IEC 60529) *	IP65
Temperature range	-40°C to +90°C, notice derating**

** only if mounted and locked in combination with Hirschmann / Lumberg connector.

** Notice Temp.-range of gasket.

Flammability class

Housing	UL 94 HB
Contact bearer	UL 94 HB

Accessories

Accessories to order separately

Gasket:

730-801-002, NBR, Temp. range: -30°C to +90°C, flat gasket GDM 3-7, brown

731-739-004, EPDM, Temp. range: -40°C to +125°C, flat gasket GDM 3-21, brown

731-740-002, MPQ, Temp. range: -40°C to +125°C, flat gasket GDM 3-17, red

731-531-002, NBR, Temp. range: -30°C to +90°C, profiled gasket GDM 3-16, black

731-532-002, VMQ, Temp. range: -40°C to +125°C, profiled gasket GDM 3-17, red

central screw:

732-488-002, knurled head (grey)

734-363-001, stainless steel screw

Additional technical data

Fastening torque (central screw)

M 3: (50-60) Ncm

Fastening torque (cable gland)

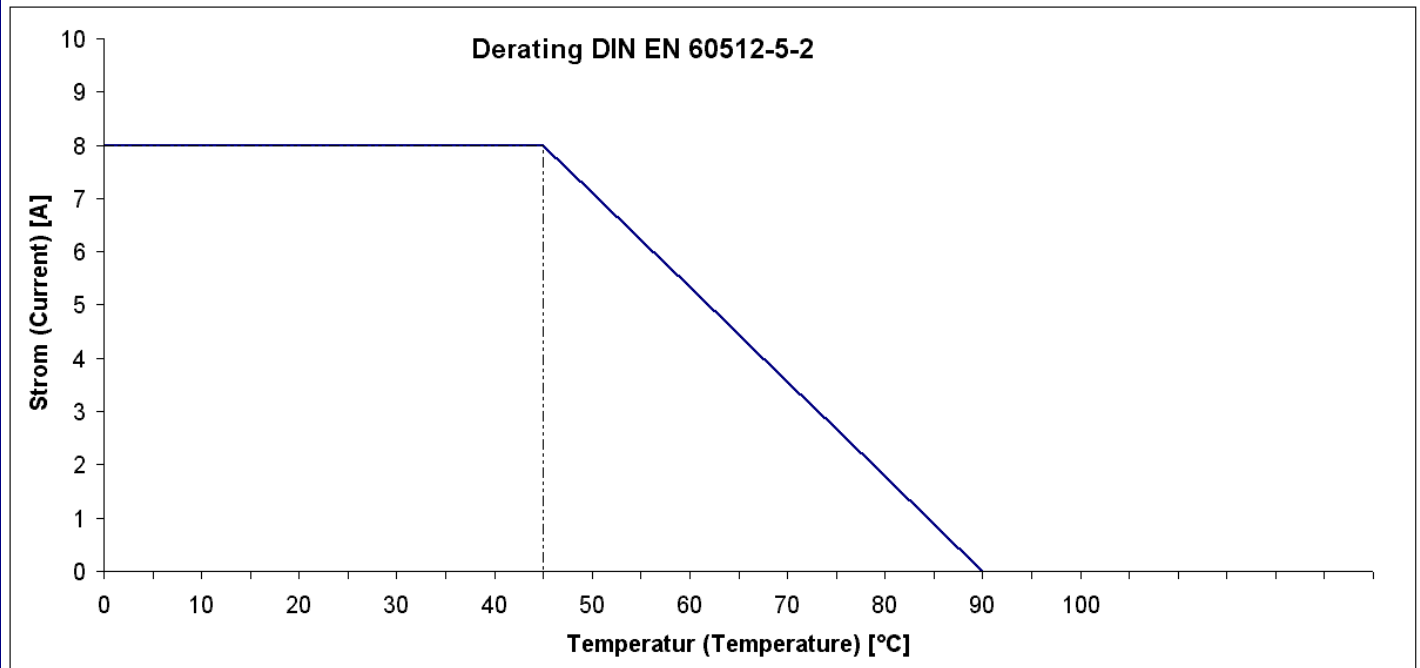
M 16x1,5: (250-375) Ncm

Fastening torque (contact screw)

M 3: (40-50) Ncm

Cutline

Do not connect or disconnect under load.



Standard products

Artikel-No.	Type	Cable gland screw	Housing
934-424-002	GDML 2016 LED 120 VR YE schwarz	schwarz/ black	B 12
934-424-003	GDML 2016 LED 120 VR YE grau	grau/ grey	A 14