

MCS Power supply 1-phase, primary switched IN: 90-265VAC OUT: 10-15V/5ADC

INPUT: 90...265 V AC
 OUTPUT: 10...15 V DC
 Current: 5 A

Image

- stable output voltage, short-circuit and overload protected
- Wide voltage input
- touch protected (EN 60529) IP20

Approvals**Input**

Voltage range	90...265 V AC; 110...300 V DC
Input current	1.1 A (115 V AC); 0.6 A (230 V AC)
Inrush current after 1 ms	<= 28 A
Primary fusing	max. 10 A
Frequency	50/60 Hz

Output

Output voltage	12 V DC SELV, $\pm 1\%$; 10...15 V adjustable
Output current	5 A (+55 °C); 6 A (+45 °C)
Efficiency	85 %
Mains failure bridging	>= 10 ms (115 V AC); >= 70 ms (230 V AC)
Ripple	<= 20 mV rms
Spikes	<= 200 mV p-p
Protection	Short-circuit and overload protected
LED display	LED (green) for output voltage
Parallel usage/serial usage	no/yes (max. 2 units)

General data

Standards	(EN 60950-1), (EN 61204-3), (EN 55022 B), (EN 61000-3-2)
Mounting method	DIN-rail mountable TH35 (EN 60715)
Relative humidity	5...95 %, no condensation
Temperature range	0...+55 °C (storage temperature -25...+85 °C)
Dimensions H x W x D	107.5 x 42 x 97.5 mm

Commercial data

Gross weight	500
Net weight	450
Weight unit	gram
Basic unit	pc.
Customs tariff number	85044082
Unit (piece)	1
Limited value	1

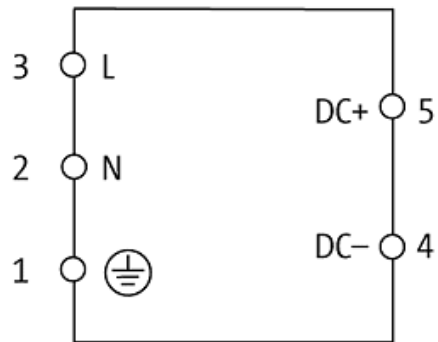
Comments

This switch mode power supplies meet the (EN 61000-3-2) standard for harmonic current.

All data on this data sheet was compiled carefully.

Liability regarding correctness, completeness, and actuality is limited to gross negligence. Created: 08/11

Circuit diagram



Dimension drawing

