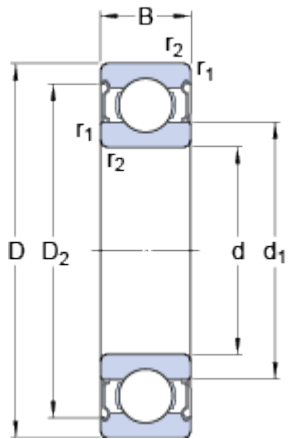


6001 - 2 Z

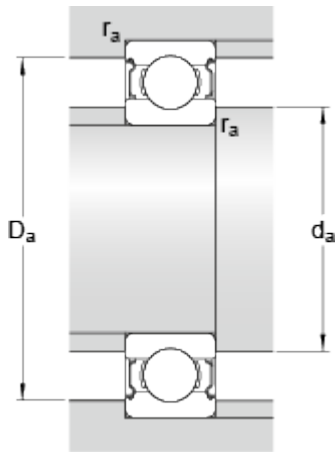
SKF Explorer

Dimensions



| | | |
|------------------|-----------------|----|
| d | 12 | mm |
| D | 28 | mm |
| B | 8 | mm |
| d ₁ | ≈ 17 | mm |
| D ₂ | ≈ 24.72 | mm |
| r _{1,2} | min. 0.3 | mm |

Abutment dimensions



| | | |
|----------------|------------------|----|
| d _a | min. 14 | mm |
| d _a | max. 16.9 | mm |
| D _a | max. 26 | mm |
| r _a | max. 0.3 | mm |

Calculation data

| | | | |
|---------------------------|----------------|--------------|-------|
| Basic dynamic load rating | C | 5.4 | kN |
| Basic static load rating | C ₀ | 2.36 | kN |
| Fatigue load limit | P _u | 0.1 | kN |
| Reference speed | | 60000 | r/min |
| Limiting speed | | 30000 | r/min |
| Calculation factor | k _r | 0.025 | |
| Calculation factor | f ₀ | 13 | |

Mass

| | | |
|--------------|--------------|----|
| Mass bearing | 0.022 | kg |
|--------------|--------------|----|

