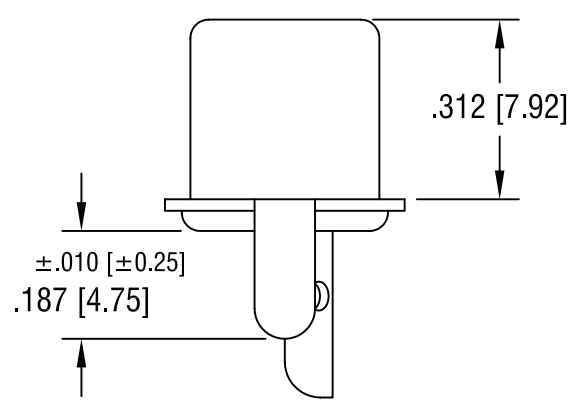
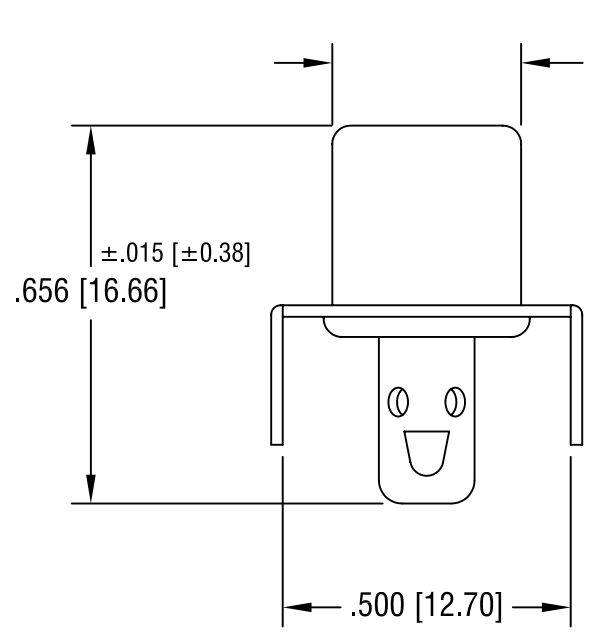
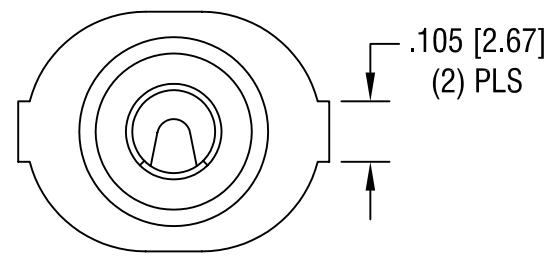
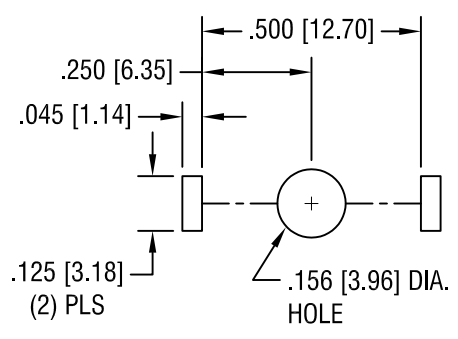


THIS DOCUMENT IS THE PROPERTY OF  
 KEYSTONE ELECTRONICS CORP. AND  
 SHALL NOT BE REPRODUCED, DISTRIBUTED  
 OR USED AS A BASIS FOR MANUFACTURE  
 WITHOUT PRIOR WRITTEN PERMISSION  
 FROM KEYSTONE ELECTRONICS CORP.

**MOUNTING DETAIL**



**NOTES:**

- 1. SHELL: MAT'L - STEEL
- CONTACT: MAT'L - BRASS

<b>KEYSTONE ELECTRONICS CORP.</b>			
ASTORIA, N.Y. 11105-2017			
PART NAME		VERTICAL PC PHONO JACK	
MATERIAL		AS NOTED	
FINISH		DRN BY	DATE
TIN PLATE		BOONE	7.19.05
		APP'D	SCALE
		LN	3X
TOLERANCES	INCH [MM]	CODE	DWG NO.
DECIMAL	± .005 [± 0.15]	C/M	<b>573</b>
ANGULAR	± 1°		
UNLESS OTHERWISE SPECIFIED			

DATE	DESCRIPTION	REV.
------	-------------	------