



Low Profile Transition Boots

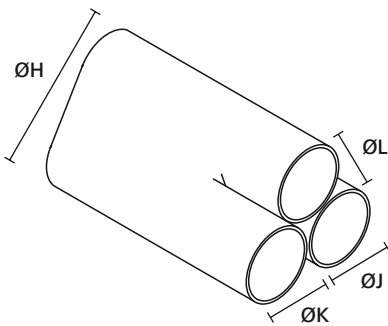
Helashrink 573H Series, 1 to 3 cables

Features and benefits

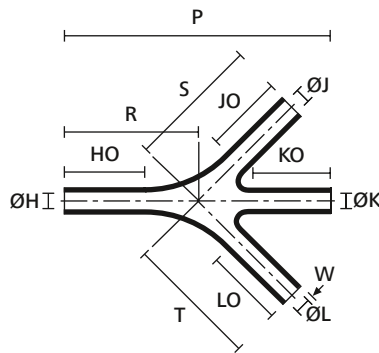
- For cable harness breakouts or transitions
- Strain relief, sealing and mechanical protection



573H532-535 Series supplied / fully recovered.



a: Expanded form (supplied)



b: Fully recovered form (after heating)

TYPE	ØH min. a	ØH max. b	ØJ/K/L min. a	ØJ/K/L max. b	P nom.	R/S/T nom.	W nom.	HO/JO/KO/LO ± 15%	Article-No.
573H532-9	19.8	6.6	13.2	6.6	85.8	42.9	1.0	25.4	422-60000
573H533-9	34.2	11.4	20.5	11.4	135.6	67.8	1.3	41.1	422-60100
573H534-9	60.1	20.0	36.0	20.0	207.2	103.6	1.5	63.5	422-60202
573H535-9	99.8	33.2	54.8	33.2	294.6	147.3	1.7	88.9	422-60302

All dimensions in mm. Subject to technical changes.

For these moulded shapes a wide range of material / adhesive combinations are available. Please refer to the Moulded Shapes Catalogue.