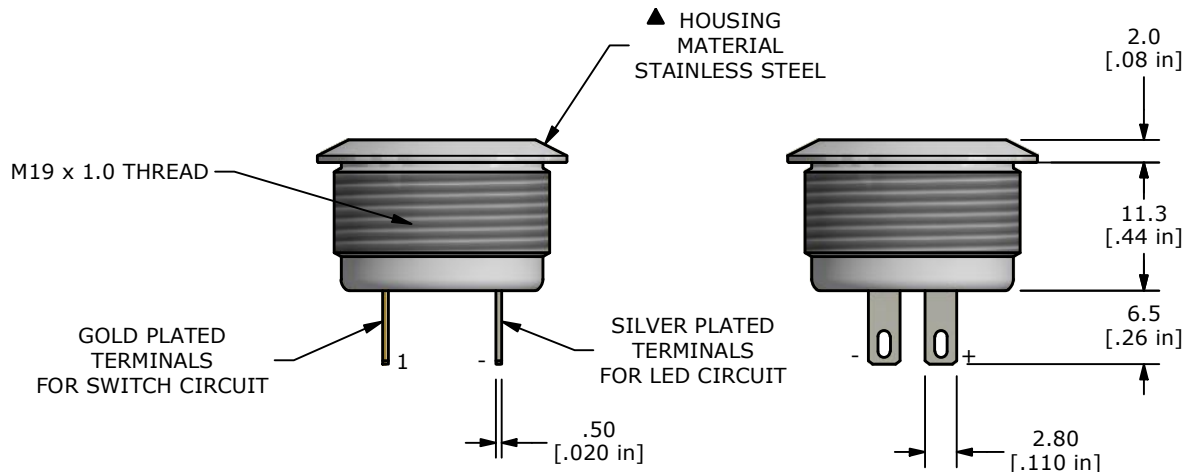
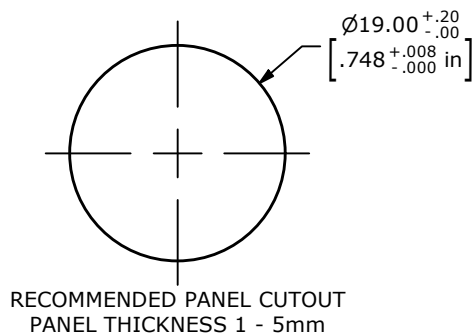
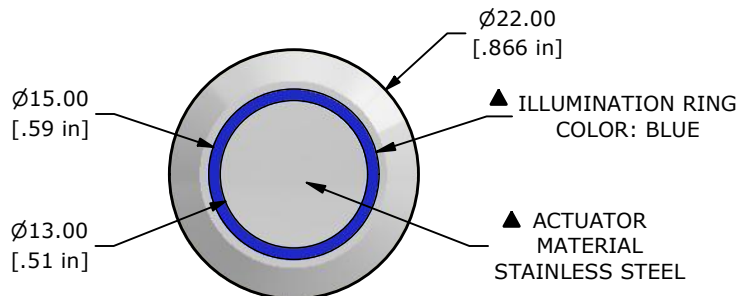
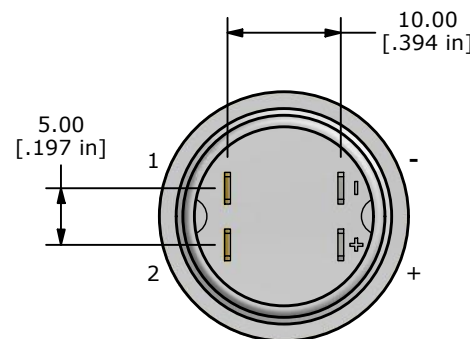


SWITCH FUNCTION	
POS. 1	POS. 2
OFF	(ON)
None	1-2

() = MOMENTARY



- NOTE:
1. ALL DIMENSIONS IN MM [INCH]
 2. GENERAL TOLERANCE: X.X = ±0.4
X.XX = ±0.25
 3. TERMINAL NUMBERS FOR REF ONLY
 4. CONTACT MATERIAL: Silver
 5. RATING: 50mA 24VDC
 6. ELECTRIC LIFE: 500,000 MAKE-AND-BREAK CYCLES AT FULL LOAD.
 7. INSULATION RESISTANCE: 1000 MΩ MIN.
 8. DIELECTRIC STRENGTH: 250 VAC MIN. FOR 1 MINUTE
 9. CONTACT RESISTANCE: 100mΩ MAX.
 10. OPERATING TEMP.: -25°C to +55°C
 11. TRAVEL: 0.5mm
 12. ▲ DENOTES CRITICAL PARAMETER.
 13. INGRESS PROTECTION: IP65
 - ▲ 14. LED VOLTAGE: 2.8V
 15. HARDWARE SUPPLIED: O-RING AND HEXNUT



C	24567	Housing Update	10/27/20	JM
B	23411	update terminal length to 6.5 from 6.0	6/29/18	MW
A	23271	New Release	3/19/2018	RC
REV	PCR NO	DESCRIPTION	DATE	BY



TITLE PVT4FS4SS341				
SCALE 3:2	DATE 3/19/2018	DR RC	DWG 52-PVT4FS4SS341	REV C

THE INFORMATION CONTAINED IN THIS DOCUMENT IS PROPRIETARY TO E-SWITCH AND IS NOT TO BE COPIED OR TRANSFERRED