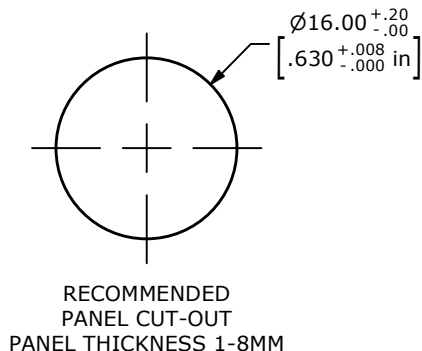
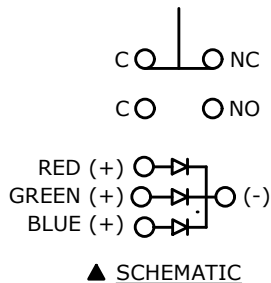
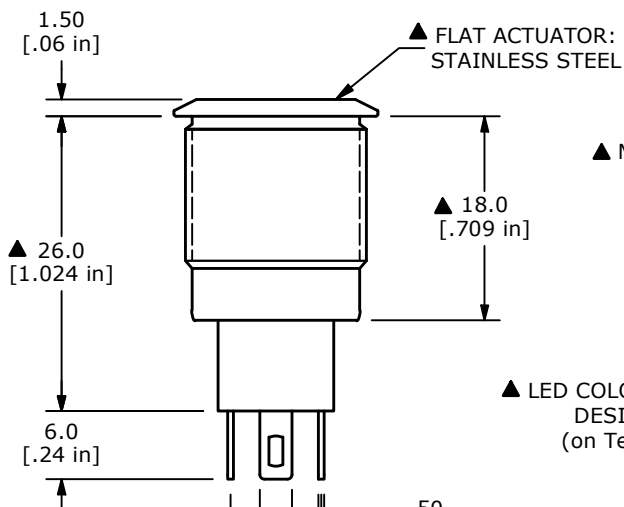
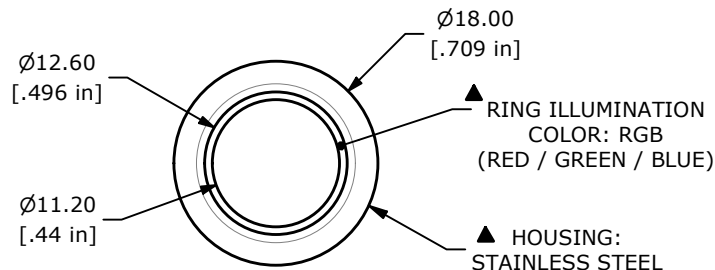


| SWITCH FUNCTION | |
|-----------------|--------|
| POS. 1 | POS. 2 |
| | |
| ON | ON |
| C - NC | C - NO |

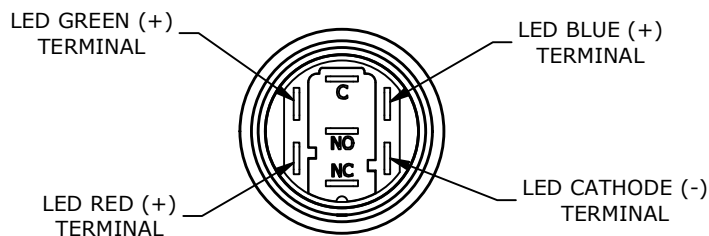
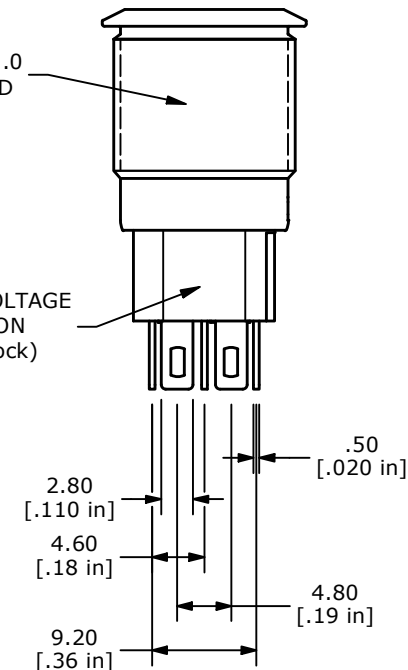
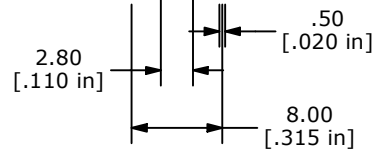


- NOTE:
1. ALL DIMENSIONS IN mm [INCH]
 2. GENERAL TOLERANCE: X.X = ±0.4
X.XX = ±0.25
 3. TERMINAL NUMBERS FOR REF ONLY
 4. CONTACT MATERIAL: SILVER
 5. RATING: 2A 36VDC
 6. ELECTRIC LIFE: 50,000 MAKE-AND-BREAK CYCLES AT FULL LOAD.
 7. INSULATION RESISTANCE: 1,000 MΩ MIN.
 8. DIELECTRIC STRENGTH: 1,500 VAC MIN. FOR 1 MINUTE
 9. CONTACT RESISTANCE: 50mΩ MAX.
 10. OPERATING TEMP.: -25°C to 55°C
 11. TRAVEL: 3.0mm
 12. ▲ DENOTES CRITICAL PARAMETER
 13. ACTUATION FORCE: 1.7N NOMINAL
 14. INGRESS PROTECTION: IP65
 15. HARDWARE SUPPLIED: O-RING AND HEXNUT
 - ▲ 16. LAMP VOLTAGE: BASE VOLTAGE
1.8V RED; 2.8V GREEN; 2.8V BLUE



▲ M16 x 1.0
THREAD

▲ LED COLOR / VOLTAGE
DESIGNATION
(on Term. Block)



| | | | | |
|-----|--------|--|---------|----|
| C | 24574 | UPDATE THREAD LENGTH TO 13.4 | 11/2/20 | JM |
| B | 23342 | change location of color/voltage callout | 5/2/18 | MW |
| A | 23163 | New Release | 1/12/18 | RC |
| REV | PCR NO | DESCRIPTION | DATE | BY |



| | | | | |
|---------------------|-----------|----|------------------|-----|
| TITLE PVA3F230SS3R1 | | | | |
| SCALE | DATE | DR | DWG | REV |
| 3:2 | 1/12/2018 | RC | 52-PVA3F230SS3R1 | C |