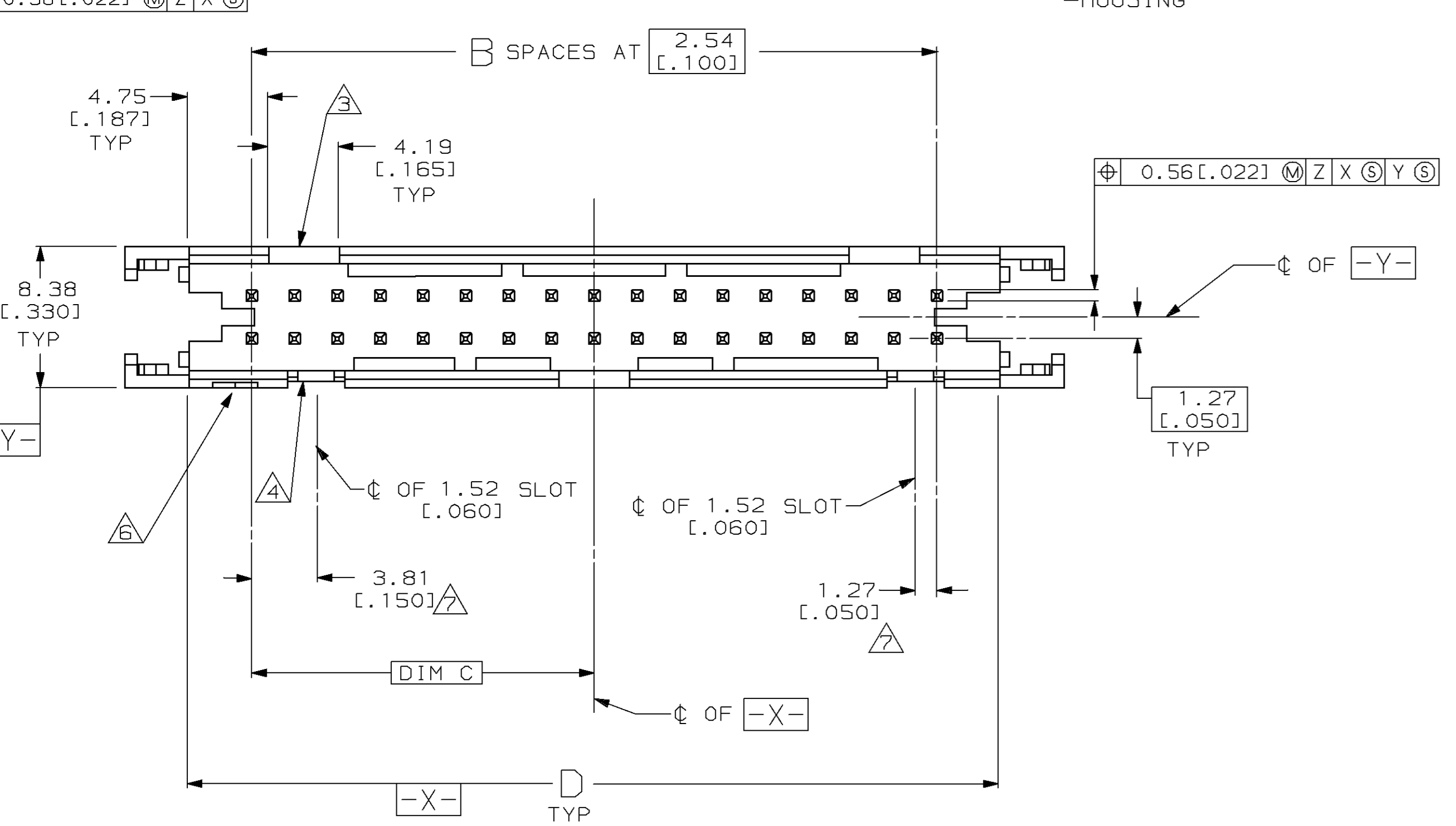
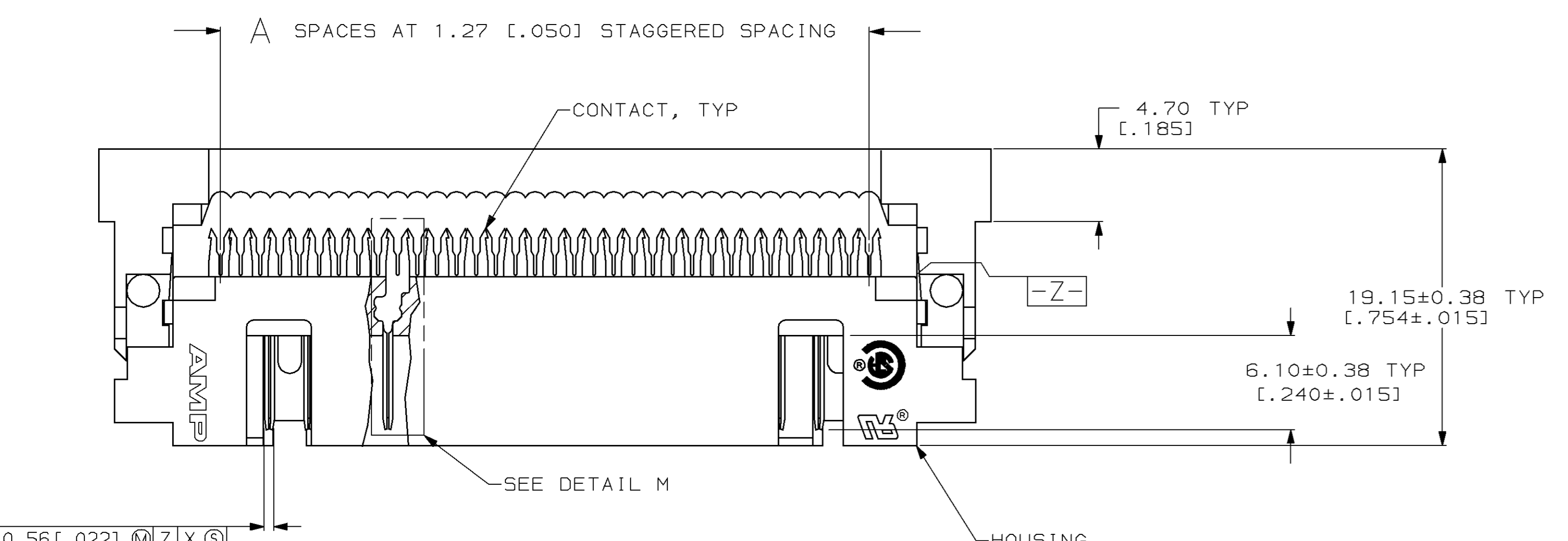
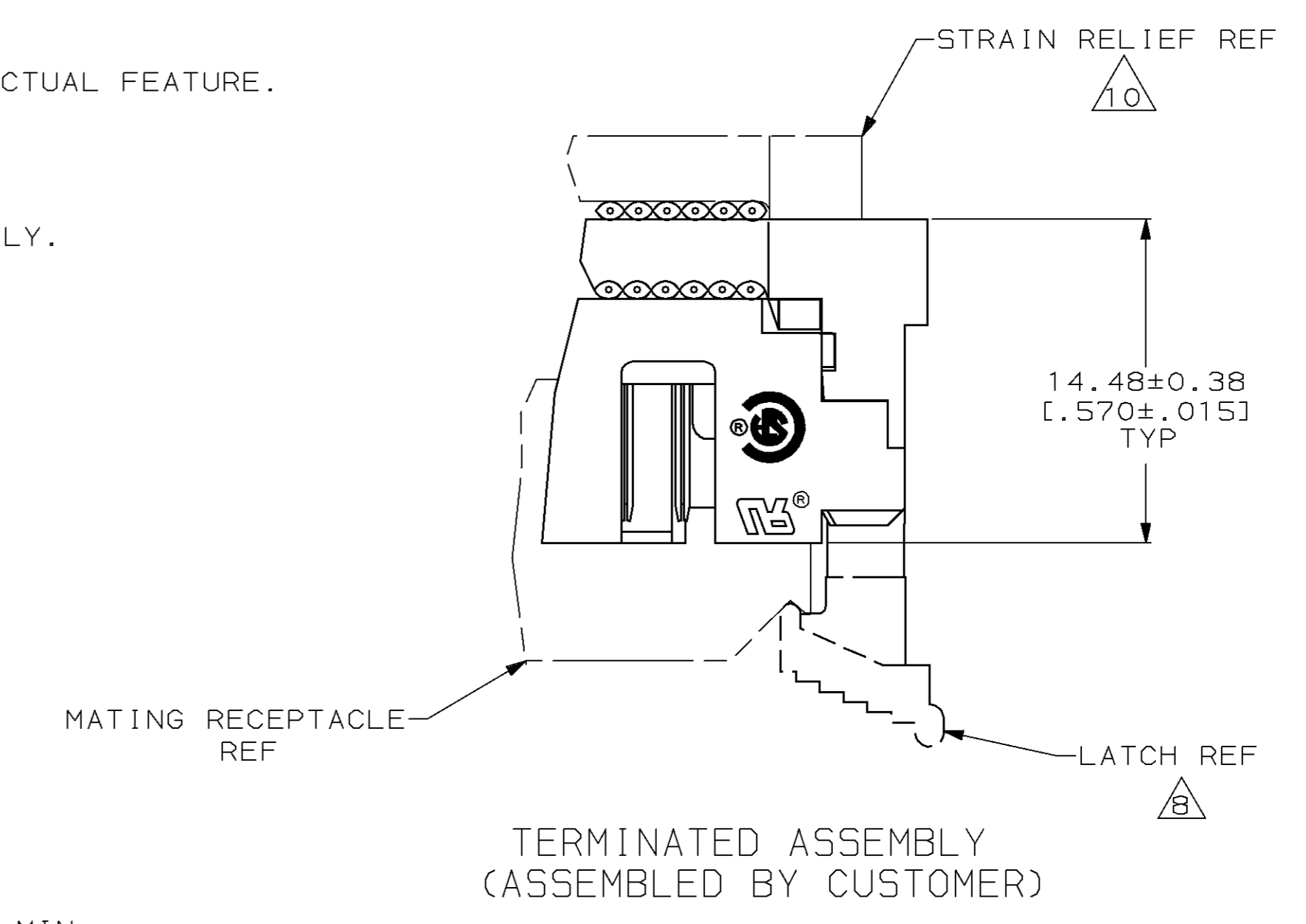
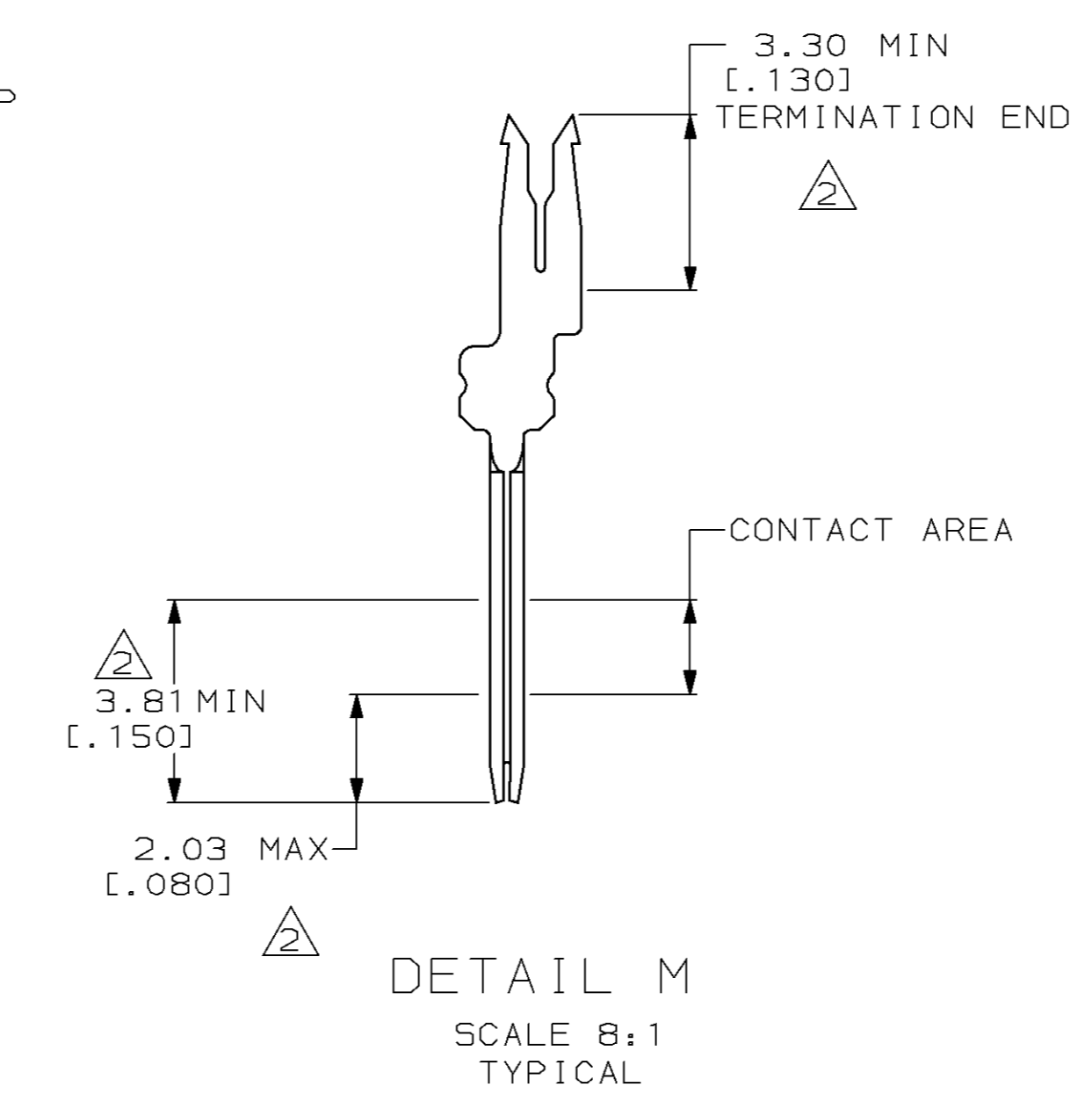


- △4 NO SLOT FOR SNAP-IN POLARIZER ON THIS END FOR 10 AND 14 POSITION HOUSINGS.
- 5. FOR MILITARY POLARIZATION, ORDER SNAP-IN POLARIZER 499991-2 (BULK PACK OF 50).
- △6 POSITION NO 1 INDICATOR.
- △7 COORDINATE DIMENSION APPLIES FROM CENTER OF ACTUAL FEATURE.
- △8 FOR LATCHES ORDER 111451, 2 PER ASSEMBLY.
- △9 PHOSPHOR BRONZE PER QQ-B-750.
- △10 STRAIN RELIEF 111547 MUST BE ORDERED SEPARATELY.



COVER NOT SHOWN IN THIS VIEW FOR CLARITY



95.81 [3.772]	86.21 [3.394]	39.37 [1.550]	31	63	64	1-111446-3
89.59 [3.527]	81.13 [3.194]	36.83 [1.450]	29	59	60	1-111446-2
78.03 [3.072]	68.43 [2.694]	30.48 [1.200]	24	49	50	1-111446-1
70.41 [2.772]	60.81 [2.394]	26.67 [1.050]	21	43	44	1-111446-0
65.33 [2.572]	55.73 [2.194]	24.13 [0.950]	19	39	40	111446-9
57.71 [2.272]	48.11 [1.894]	20.32 [0.800]	16	33	34	111446-8
52.63 [2.072]	43.03 [1.694]	17.78 [0.700]	14	29	30	111446-7
47.55 [1.872]	37.95 [1.494]	15.24 [0.600]	12	25	26	111446-6
45.01 [1.772]	35.41 [1.394]	13.97 [0.550]	11	23	24	111446-5
39.93 [1.572]	30.33 [1.194]	11.43 [0.450]	9	19	20	111446-4
34.85 [1.372]	25.25 [0.994]	8.89 [0.350]	7	15	16	111446-3
32.31 [1.272]	22.71 [0.894]	7.62 [0.300]	6	13	14	111446-2
27.230 [1.072]	17.63 [0.694]	5.08 [0.200]	4	9	10	111446-1
E	D	C	B	A	NO OF POSN	PART NUMBER

CUSTOMER DRAWING