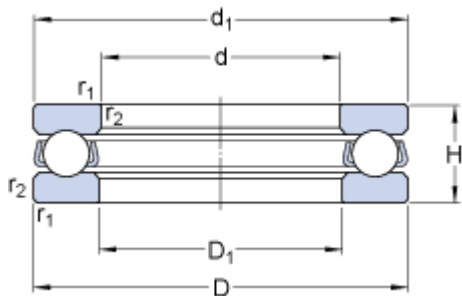


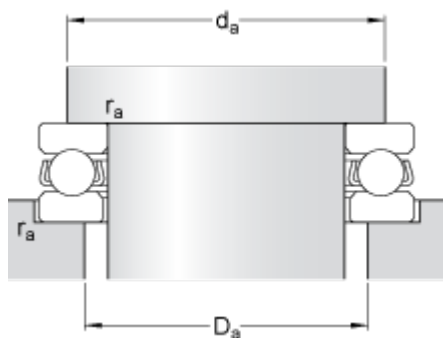
51126

Dimensions



d	130	mm
D	170	mm
H	30	mm
d ₁	≈ 170	mm
D ₁	≈ 132	mm
r _{1,2}	min. 1	mm

Abutment dimensions



d _a	min. 154	mm
D _a	max. 146	mm
r _a	max. 1	mm

Calculation data

Basic dynamic load rating	C	119	kN
Basic static load rating	C ₀	440	kN
Fatigue load limit	P _u	13.4	kN
Reference speed		1900	r/min
Limiting speed		2600	r/min
Minimum load factor	A	0.94	

Mass

Mass bearing (including seat washer where applicable)	1.85	kg
---	-------------	----