

IP68 Heavy Duty Enclosures Technical Specification

This series has been designed for resistance to tougher environments where a hardwearing box, combined with ingress protection may be required.

Sealed to IP68, they offer the best protection against water ingress, having been tested to a depth of 10m for 20 hours. Eight sizes are available comprising PCB guides, DIN rail mounting points, lid, seal, captive screws and earth screws.

The range can be finished in plain aluminium, or painted and coated for added resistance to abrasion, oils, corrosion and diluted acids.



For more information:

Phone: +44 (0)1724 273206

Features:

- IP68 (BS EN 60529:1992)
- Heavy Duty
- Manufactured from LM2/LM24
- RoHS Compliant

Typical Applications:

- Test & Measurement Equipment
- CCTV/Surveillance Tools
- Traffic Management Equipment
- Water Treatment

Available Dimensions:

125 x 125 x 80mm	220 x 120 x 80mm
125 x 125 x 90mm	220 x 120 x 90mm
130 x 80 x 60mm	260 x 160 x 90mm
160 x 160 x 90mm	260 x 160 x 120mm

Finishes: Plain Aluminium, Powder or Nylon Coat

Colours: Grey, Blue or Black when a powder or nylon coating is selected.

Customisation: We can machine and customise the enclosures to meet your specification.

- Visit our website for a complete services list.

DEM Manufacturing
Deltron Emcon House,
Hargreaves Way,
Sawcliffe Industrial Park,
Scunthorpe, DN15 8RF.

DELTRON Enclosures

Web: www.dem-uk.com/deltron-enclosures

Tel: +44 (0) 1724 273206

Fax: +44 (0) 1724 280353

Email: sales@dem-uk.com

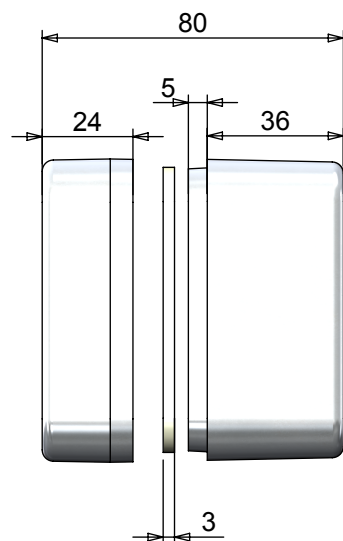
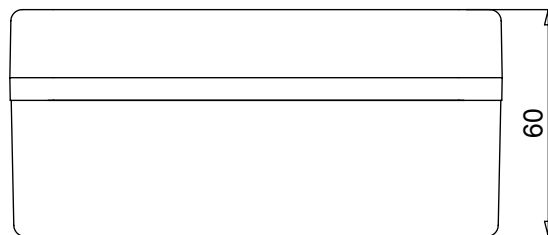
REV	DATE	ECN NUMBER	ECR COMMENT
008	06 Jun 2017	4833/4835	
007	05 Jun 2017	4833/4835	CHANGE MADE IN UK TEXT TO MADE IN CHINA



Length	Width	Height	Un-Painted	Powder Coat	Nylon Coat
130	80	60	486-130806-68	487-130806*-68	488-130806*-68
Box Dimensions in mm			Colour Option - Colour suffix * - Grey= A / Blue= B / Black= E		

DIE CAST ALUMINIUM ENCLOSURE SEALED TO
BS EN 60529:1992 IP66, IP67 and IP68 (10mtrs for 20 hour)

- 3mm One piece Die cut Silicone Rubber Sponge 01-255FR Seal
- Seal has Self Adhesive Backing. 01-255SAB Suitable for -60 °c to 240 °c.
- Min seal thickness 3.0mm - min seal frame width 3.5mm
- Min enclosure wall thickness 3mm
- Min enclosure lid thickness 3mm
- No Internal PCB standoffs Din Rail mounting only
- PCB maximum dimensions 66mm Length, 1.7mm Width
- Enclosures can be supplied Machined to your specifications
- Made in the China.
- Clean seal face using toluene solution or white spirits prior to fitting the seal, only required on unpainted enclosures

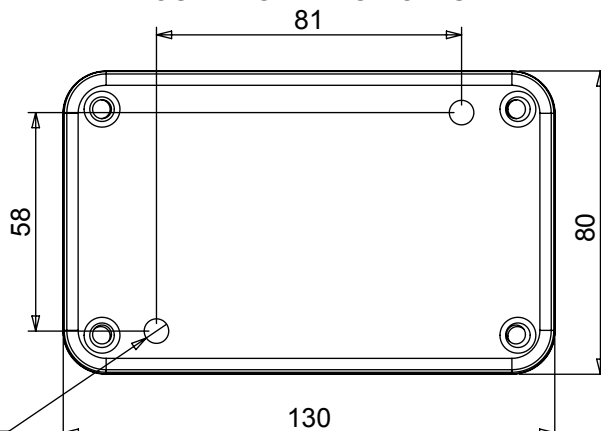


MOUNTING FIXING HOLES

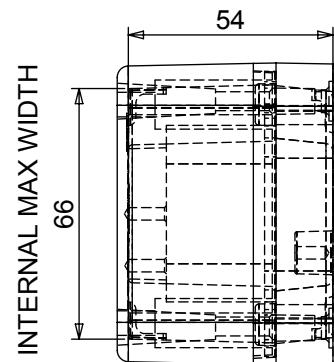
58

3

MOUNTING FIXING HOLES



INTERNAL MAX HEIGHT



INTERNAL MAX WIDTH

66

2x Ø 4
↓ 8.0mm

DIN RAIL MOUNTING

