

IP68 General Purpose Enclosures Technical Specification

Sealed to IP68, this series is ideal for placement in demanding environments where protection may be required for complete immersion in water of up to 5 metres for 1 hour.

15 sizes are available, complete with silicone gasket, captive screws, earth screws and PCB guides on selected sizes. Nine sizes are also available with flanges for easy mounting.

Deltron Enclosures can customise any enclosure in our UK factory, including machining, painting, finishing, component sourcing and installation to meet your specification, save time and cut your costs. View our Services page on our website for more information.



For more information:

Phone: +44 (0)1724 273206

Features:

- IP68 Rated
- Manufactured from ADC12
- Certified to BS EN 60529:1992
- RoHS Compliant
- Silicone Seal

Typical Applications:

- Marine
- Water Treatment
- Security
- Food Processing
- Leisure Facilities

Available Dimensions (mm):

90 x 36 x 30*	115 x 64 x 30*
115 x 90 x 55*	115 x 65 x 55*
172 x 121 x 55*	172 x 121 x 106*
223 x 147 x 55*	223 x 147 x 106
275 x 176 x 65	141 x 102 x 76*
166 x 128 x 76	121 x 101 x 35*
251 x 251 x 99	81 x 56 x 25
61 x 56 x 30	*= Available with Flanges

Finishes: Plain Aluminium, Powder or Nylon coat.

Coating Colours: Grey, Blue or Black.

Spares: Gaskets and Screws.

Or choose to have your enclosure customised for bespoke finishes and colours.

DEM Manufacturing

Deltron Emcon House,
Hargreaves Way,
Sawcliffe Industrial Park,
Scunthorpe, DN15 8RF.

DELTRON Enclosures

Web: www.dem-uk.com/deltron-enclosures

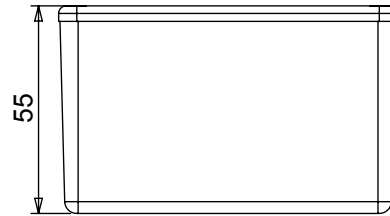
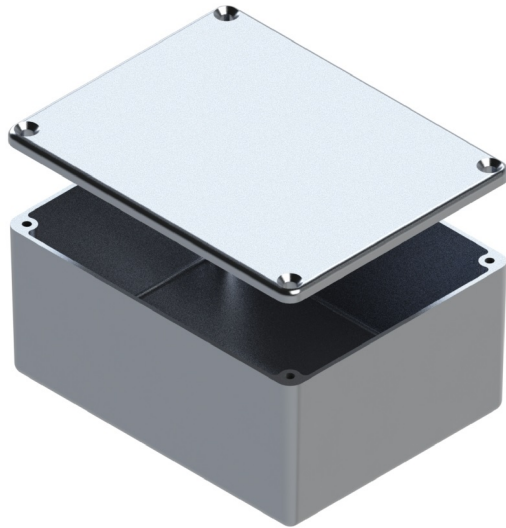
Tel: +44 (0) 1724 273206

Fax: +44 (0) 1724 280353

Email: sales@dem-uk.com

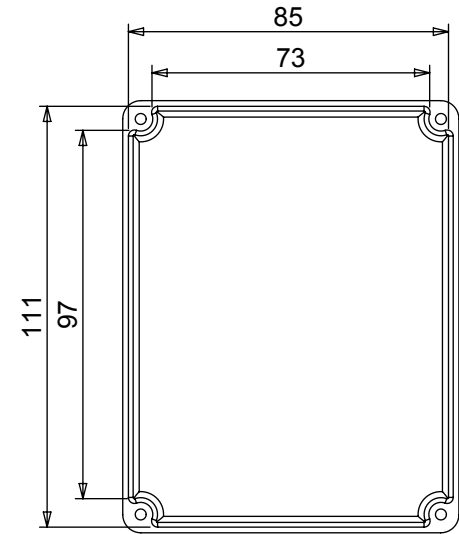
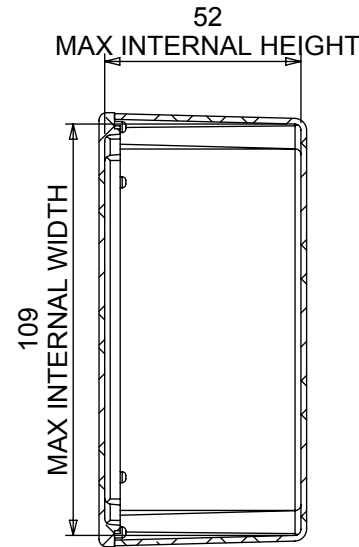
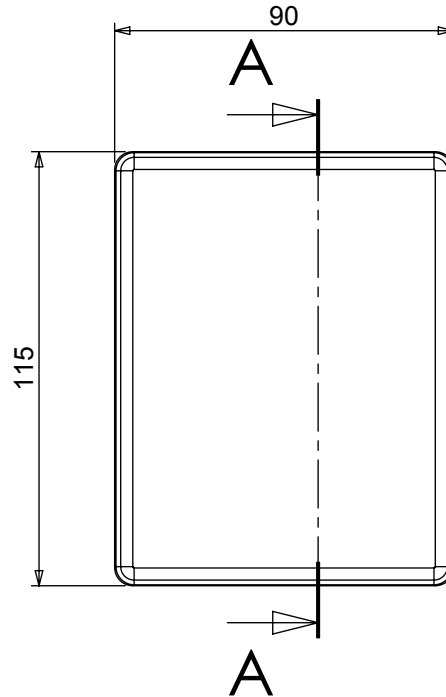
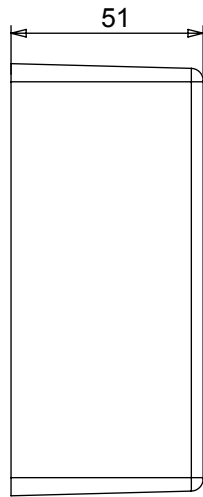
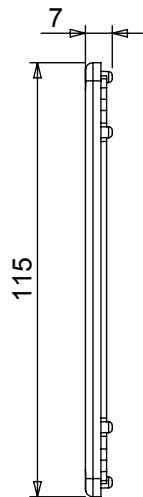
REV	DATE	ECN NUMBER	ECR COMMENT
004	06 Jun 2017	C03614	
003	06 Jun 2017	C03614	TORQUE SETTINGS ADDED

LENGTH	WIDTH	HEIGHT	SEAL	TORQUE SETTINGS	PLAIN	POWDER COAT	NYLON COAT
115	90	55	NONE	NONE	459-0030	461-0030*	462-0030*
			IP66	0.3Nm	460-0030	453-0030*	454-0030*
			IP68	0.7Nm	480-0030	481-0030*	482-0030*
			IP68 EMI/RFI	1.0Nm	480-C030	481-C030*	482-C030*
BOX DIMENSION IN MM			COLOUR OPTION - COLOUR SUFFIX * GREY=A / BLUE=B / BLACK = E				



STANDARD DUTY ENCLOSURE

- Material grade ADC12/LM2 Die Cast Alloy
- IP Rated available
- Min wall thickness 1.5mm
- Min lid thickness 1.5mm
- Fine textured powder coating and smooth nylon
- Screws stainless steel
- IP68 Tested to 5 metres for 1 hour
- Enclosures can be supplied fully factory customised to your specification



SECTION A-A

+44(0)1724 273200
 www.dem-uk.com

PROPRIETARY AND CONFIDENTIAL:
 THE INFORMATION CONTAINED IN THIS DRAWING IS THE SOLE PROPERTY OF ALPHA 3 MANUFACTURING. ANY REPRODUCTION IN PART OR AS A WHOLE WITHOUT THE WRITTEN PERMISSION OF ALPHA 3 MANUFACTURING IS PROHIBITED.
 DEM Manufacturing is a division of Alpha 3 Manufacturing LTD
 DEM Manufacturing, Deltron Emcon House, Hargreaves Way, Sawcliffe Ind. Park., Scunthorpe, North Lincolnshire, DN15 8RF, UK

UNLESS OTHERWISE SPECIFIED DIMENSIONS ARE IN MILLIMETRES
 LINEAR & RADIAL TOLERANCE:
NO DECIMAL PLACES
1 DECIMAL PLACE
2 DECIMAL PLACES
ANGULAR TOLERANCE:

IF IN DOUBT ASK! DO NOT SCALE DRAWING!

FINISH	SEE NOTES
MATERIAL	ALUMINIUM ALLOY
THE FINISHED PRODUCT SHOULD BE CLEAN AND FREE FROM ALL LIQUIDS AND DEBRIS. SURFACES SHOULD BE OF UNIFORM APPEARANCE FREE FROM SHARP EDGES, BURRS AND CORROSION	

AUTHOR	Alex Yau
EDITOR	DT
APPROVER	DT
THIRD ANGLE PROJECTION	

TITLE	PLAIN ENCLOSURE		
FILE	C ENCLOSURE		
PART	BOX & LID ASSEMBLY		
SHEET 1 OF 1	ISSUE/REV.	004	VERSION 16
SCALE 1:2	A4	RELEASED	EDIT DATE 06 Jun 2017