

Cord retaining strain relief



4700.00XX

Approvals and Compliances

**Description**

- Front Panel :  
Screw-on from front side
- 1 Function :  
Protection against accidental disconnection of the plug

**Weblinks**

[pdf datasheet](#), [html-datasheet](#), [General Product Information](#), [Distributor-Stock-Check](#), [Accessories](#), [Detailed request for product](#)

For protection against loosening or accidental disconnection of the plug connector. Can also be mounted later. The correct kit type respectively the corresponding Order No. for each combination of fixed and free components is shown in the selection chart.

Horizontal flanged components are secured to the panel using the kit supplied. Vertical flanged or snap-in components require additional drilling for the cord retaining kit as shown in the diagrams below.

The kits with the part number 4700.00XX consist of:

- 1 Stainless steel retaining clip
- 2 Nickel plated brass pillars
- 2 Nickel plated brass nuts
- 2 Nickel plated beryllium copper crinkle washers

Approvals and Compliances

Detailed information on product approvals, code requirements, usage instructions and detailed test conditions can be looked up in [Details about Approvals](#)




**Application standards**

Application standards where the product can be used

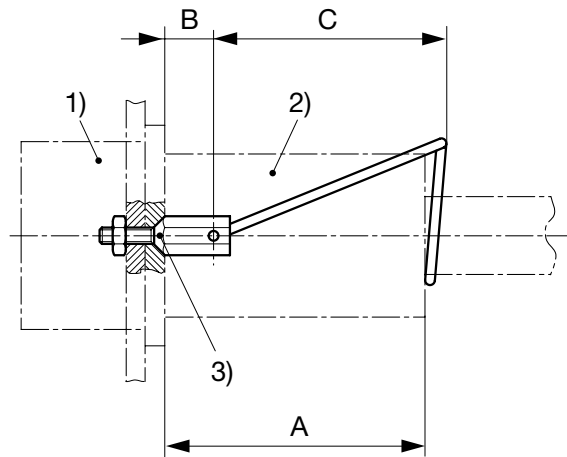
Organization	Design	Standard	Description
	Designed for applications acc.	IEC/UL 60950	IEC 60950-1 includes the basic requirements for the safety of information technology equipment.
	Designed for applications acc.	IEC 60601-1	Medical electrical equipment - Part 1: General requirements for basic safety and essential performance

**Compliances**

The product complies with following Guide Lines

Identification	Details	Initiator	Description
	RoHS	SCHURTER AG	EU Directive RoHS 2011/65/EU
	REACH	SCHURTER AG	On 1 June 2007, Regulation (EC) No 1907/2006 on the Registration, Evaluation, Authorization and Restriction of Chemicals 1 (abbreviated as "REACH") entered into force.
	Medical Equipment	SCHURTER AG	Suitable for use in medical equipment according to IEC/UL 60601-1

## Dimension [mm]



(Details see overview table and table of variants)

1) Inlet/Outlet      2) Plug/Connector      3) Design





All Variants

Kit	Type	B [mm]	C [mm]	D [mm]	E [mm]	Order Number
-	Flat head	5	36	36	3.4	<a href="#">0888.0005</a>
-	Flat head	11.5	36	36	3.4	<a href="#">0888.0016</a>
-	Countersunk	3	35	36	3.4	<a href="#">0888.0001</a>
-	Countersunk	3.5	36	36	3.4	<a href="#">0888.0004</a>
-	Countersunk	9	36	36	3.4	<a href="#">0888.0015</a>
-	Countersunk	6.5	36	36	3.4	<a href="#">0888.0017</a>
A	Flat head	8	45	40	3.4	<a href="#">4700.0001</a>
B	Countersunk	8	45	36	3.4	<a href="#">4700.0002</a>
C	Countersunk	6.5	45	40	3.4	<a href="#">4700.0003</a>
D	Countersunk	2.5	40	40	3.4	<a href="#">4700.0004</a>
E	Flat head	4.5	40	42	3.4	<a href="#">4700.0005</a>
F	Countersunk	2.5	45	40	3.4	<a href="#">4700.0006</a>
G	Flat head	4.5	45	40	3.4	<a href="#">4700.0007</a>
H	Flat head	5.5	45	39	3.4	<a href="#">4700.0008</a>
J	Countersunk	6.5	37	45	3.4	<a href="#">4700.0009</a>
K	Countersunk	5	37	42	3.4	<a href="#">4700.0010</a>
L	Flat head	5.5	37	42	3.4	<a href="#">4700.0011</a>
M	Flat head	5.5	40	42	3.4	<a href="#">4700.0012</a>

Most Popular.

Availability for all products can be searched real-time:<https://www.schurter.com/en/Stock-Check/Stock-Check-SCHURTER>

**Packaging unit** 50 Pcs