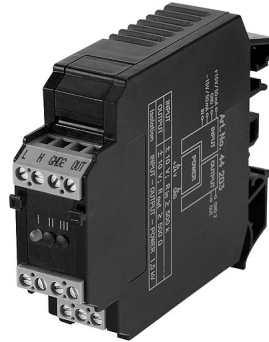


MUUV analog coupler component IN: +/-10 V - OUT: +/-10 VINPUT: $\pm 0...10$ V DCOUTPUT: $\pm 0...10$ V

Screw terminals

Image

- Input, output, and supply voltage galvanically separated

Technical Data

Operating voltage range	24 V DC, +15/-10 %
Operating current	max. 200 mA
Input frequency	5 kHz, sine wave
Output load	RL \leq 400 Ohm at output
Tolerance	± 1 %
Temperature range	0...+50 °C
Mounting method	DIN-rail mountable (EN 60715)
Dimensions H x W x D	75 x 22.5 x 102 mm

Input

Input resistor	approx. 100 kOhm at voltage input; approx. 75 Ohm at current input
----------------	--

General data

Test isolation voltage	1.5 kV
------------------------	--------

Description

The Murrelektronik analog converters convert the standard input signal formats (0...10 V, 0...20 mA, 4...20 mA) galvanically isolated into one of these signals. Due to an integrated current limiter on the output, the output is short circuit and overload protected. A special characteristic of the MULTIWANDLER Art.- No. 6644207 includes: Analog voltage signals 0...5 V/0...10 V and -10/+10 V and current signals 0...20 mA and 4...20 mA, these compact modules can be galvanically isolated in the three standard signals, which means all combinations are covered with one model. The selection of the input is done by means of a 5-pole rotary switch, accessible under the identification tag. The voltage supply is galvanically isolated from the input and output circuits (3-way isolation). Isolation prevents interference on the input from appearing at the output. Art.- Nos. 44202 and 44203 have 2 electrically isolated ± 15 V DC/25mA supplies available. The terminals ?H? (+) and ?L? (?) shown on the diagram are only on Art. No. 44202 and give the input signals.

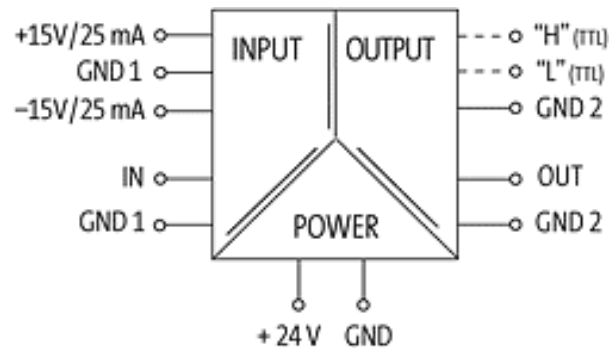
Commercial data

Gross weight	112
Net weight	112
Weight unit	gram
Basic unit	pc.
Customs tariff number	85437090
Unit (piece)	1
Limited value	1

All data on this data sheet was compiled carefully.

Liability regarding correctness, completeness, and actuality is limited to gross negligence. Created: 12/11

Circuit diagram



Dimension drawing

