

Modlink MSDD front panel interface frame modul single metal black

Frame: metal, black KTL

Lid: metal, black KTL

Image

Vicarious picture

General data

Protection	IP65
Temperature range	-10...+60 °C (storage temperature -25...+60 °C)
Housing	Zinc die-casting, KTL coated
suitable for mounting with wall thickness	1...5 mm

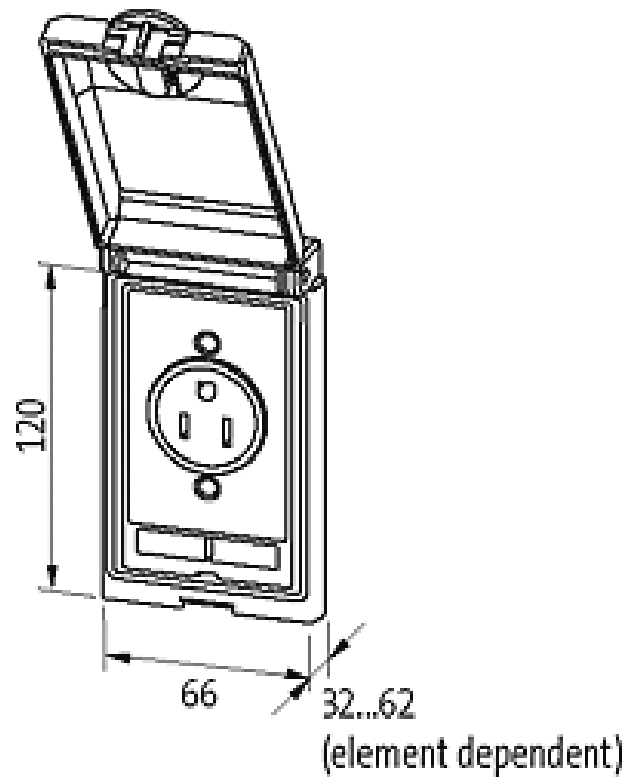
Commercial data

Net weight	285
Weight unit	Gram
Basic unit	pc.
Customs tariff number	85389099
Unit (piece)	1
Minimum order quantity (piece)	1

Comments

KTL stands for cathaphoretic immersion painting and ensures that the product is given long-lasting protection from scratching and corrosion

Dimension drawing



Control cabinet cut-out

