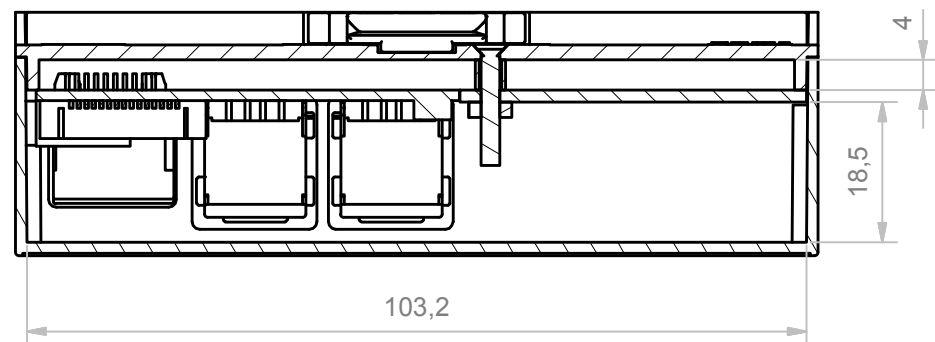


A-A (1:1)



RIF.	Q.TY	DESCRIPTION	CODE
1	1	BASE 6M EMBEDDED FOR RASPBERRY B+	M-05593
2	3	NUT M2.5X0.45 PLASTIC	PM10012028
3	3	SCREW TS M2.5X16 PLASTIC	PM10012029
4	1	HOOK MODULBOX LONG	M-01900
5	1	SPACER ROUND 5 X 3.2 X 8.7 PLASTIC	PM10012030
6	2	SPACER ROUND 5 X 3.2 X 4 PLASTIC	PM10012031
7	1	BODY 6MC33-C XTS COMPACT RASPBERRY Pi B+	M-05599

RESERVED PROPERTY: The present drawing cannot be reproduced or communicated to 3d parties, even partially, without the authorization of ITALTRONIC Srl. Italtronic reserves to protect its own rights according to the law.

GENERAL TOLERANCE	UNI EN 22768/1 Media (m)	Drawn:	Checked:	Revision description
SHEET NR.	Dimension in mm	Drawn by:	Checked by:	Scale: 1 : 1
1 / 1		 Manual modification are not allowed	Rigato N. Date: 18/01/2017	Fanin F. Replace nr.
 UN PARTNER PER IL FUTURO		Denomination: KIT 6M XTS COMPACT RASPBERRY PI B+		
 www.italtronic.com		ITALTRONIC S.R.L. VIA AUSTRIA 25/D 35127 PADOVA - ITALY www.italtronic.com		Drawing nr. M-06479-00