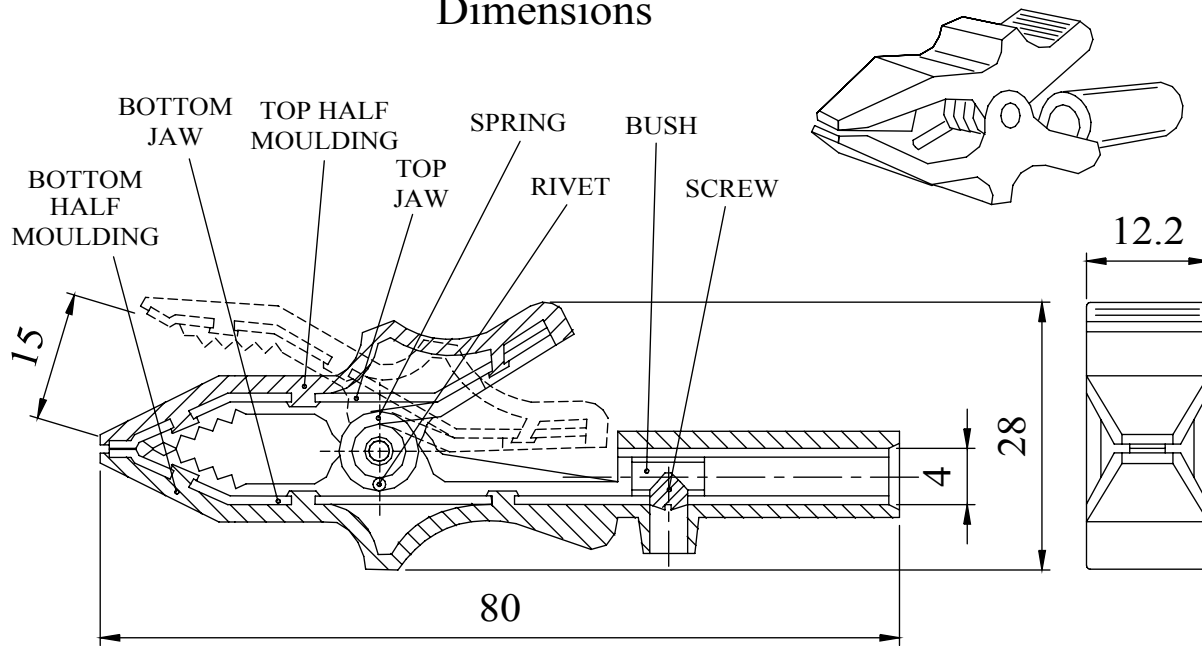


Shrouded jaws make this product ideally suitable for instrumentation usage. The rear entry socket will accept 4mm plugs or wires clamped by an integral screw. The acetal moulding is available in two colours, red or black, and the internal metalwork is nickel plated steel.

Rated at 10 Amps
Operating Voltage 50 V

MATERIALS	
TOP HALF MOULDING	Noryl SE1 604
TOP JAW	B.M.S., Nickel plated
BOTTOM HALF MOULDING	Noryl SE1 604
BOTTOM JAW	B.M.S., Nickel plated
SPRING	Spring Steel
RIVET	Brass
BUSH	Brass
SCREW	Brass

Dimensions



307-0100	BLACK
307-0500	RED

Tel No. +44(0)1724 273200 Website www.dem-uk.com

PROPRIETARY AND CONFIDENTIAL
THE INFORMATION CONTAINED IN THIS DRAWING IS THE SOLE PROPERTY OF
ALPHA 3 MANUFACTURING.
ANY REPRODUCTION IN PART OR AS A WHOLE WITHOUT THE WRITTEN PERMISSION OF
ALPHA 3 MANUFACTURING IS PROHIBITED.

UNLESS OTHERWISE SPECIFIED:
DIMENSIONS ARE IN MILLIMETRES
LINEAR TOLERANCE:
NO DECIMAL PLACES $\pm 0.5\text{mm}$
1 DECIMAL PLACE $\pm 0.25\text{mm}$
2 DECIMAL PLACES $\pm 0.125\text{mm}$
ANGULAR TOLERANCE: $\pm 1^\circ$



DEM Manufacturing, Deltron Emcon House
Hargreaves Way, Sawcliffe Ind. Park,
Scunthorpe, North Lincolnshire, DN15 8RF, UK

FINISH	LARGE INSULATED CROCODILE CLIP	DEBURR AND BREAK SHARP EDGES
IF IN DOUBT ASK DO NOT SCALE DRAWING		
MATERIAL	SEE NOTE	

DRAWN BY	SPB
APPROVED BY	WC
THIRD ANGLE PROJECTION	SHEET 1 OF 1
	SCALE 1:1
	A4

TITLE	GENERAL SPECIFICATION LARGE CROCODILE CLIP	
DRAWING NO.	307 SERIES	ISSUE 06
		Release