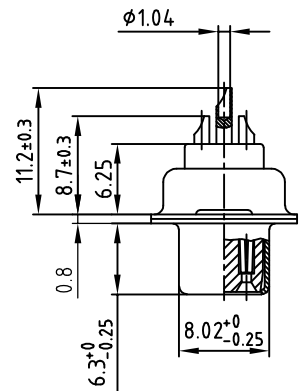
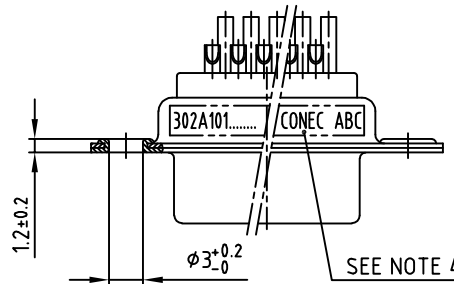
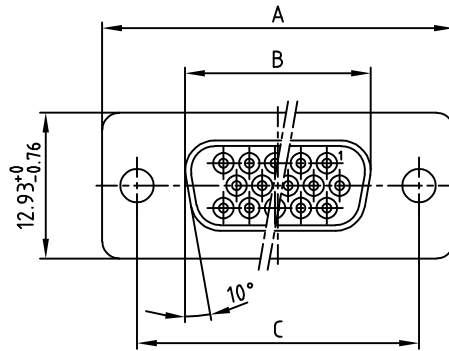
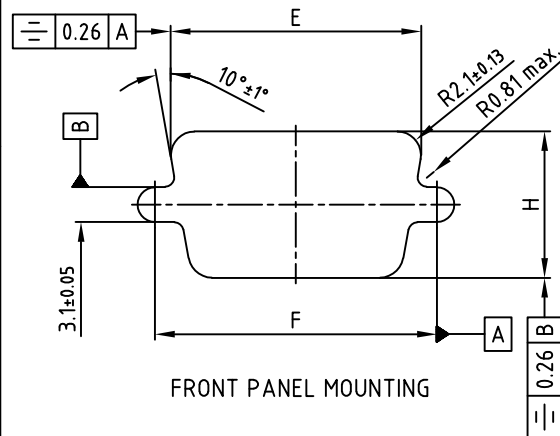
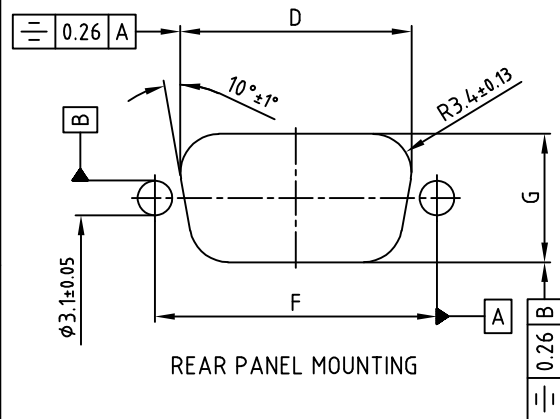


used for: D-SUB HD

Part NO.	POS.	A -0.76	B -0.25	C	D ± 0.13	E ± 0.13	F ± 0.13	G ± 0.13	H ± 0.13
302A10129X	15	31.19	16.46	25.00 $^{+0.12}_{-0.13}$	20.5	22.2	25.00	11.4	13.0
302A10139X	26	39.52	24.79	33.30 $^{+0.15}_{-0.1}$	28.8	30.5	33.30	11.4	13.0
302A10149X	44	53.42	38.50	47.04 ± 0.13	42.5	44.3	47.04	11.4	13.0
302A10159X	62	69.70	54.96	63.50 ± 0.13	59.1	60.7	63.50	11.4	13.0

(b)

(b) RECOMMENDED PANEL CUT-OUT



APPROVAL # FREIGABE # DEBLOCAGE # AUTORIZACION # APPROVAL

CUSTOMER APPROVAL DATE:

NAME: TITLE:

COMPANY NAME:

APPROVAL # FREIGABE # DEBLOCAGE # AUTORIZACION # APPROVAL

RoHS compliant

NOTES:

- 1. METALSHELLS: STEEL; NICKEL PLATED
- 2. INSULATORS: PBT GF UL 94 V-0, BLACK
- 3. CONTACTS: COPPER ALLOY
PLATING: GOLD FLASH over NICKEL
SOLDER CUP ACCEPTS CABLE AWG 22
- 4. CONNECTOR IS PART MARKED: PART-NÖ. CONEC ABC

THIS DRAWING MAY NOT BE COPIED OR REPRODUCED IN ANY WAY, AND MAY NOT BE PASSED ON TO A THIRD PARTY WITHOUT WRITTEN PERMISSION. OWNERSHIP AND COPYRIGHT OF CONEC GmbH DO NOT ALTER CAD DRAWING BY HAND

		tolerance			
		2002	date		name
		drawn	11.10.		Parei
		appd.	11.10.		Mickenbecker
		norm	DIN 41652		
1 x c	Ä19-0067	24.07.2019	JLE	d-old	
2 x b	Ä6008	03.06.2014	Lehmen		
a	Original				
rev.	description	date	name		



scale:	2:1	
material:	SEE NOTES	
title:	D-SUB HD FEMALE 15-62pos. SOLDER CUP	
dwg no:	AutoCAD 2000	DIN-A
	16K1A782	4
part no:	SEE TABLE	
		sh: 1/1