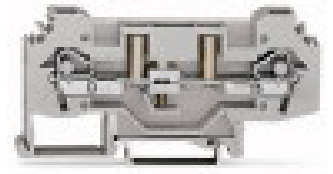


Disconnect terminal block for test and measurement; with test sockets 4 mm Ø

Item No.: 282-131



Disconnect terminal block for test and measurement; with test sockets 4 mm Ø

Marking

RoHS ✓
Compliant

Business data

Supplier	WAGO
Item no.	282-131
GTIN / EAN	4045454448455
Content	1
Order amount	25
Customer item number	

Notes

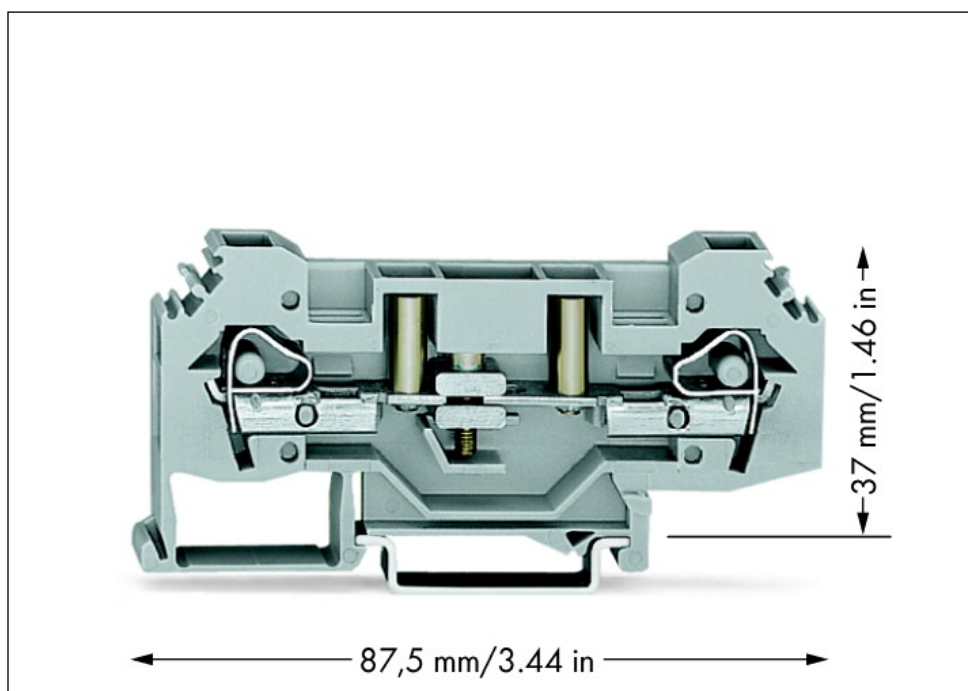
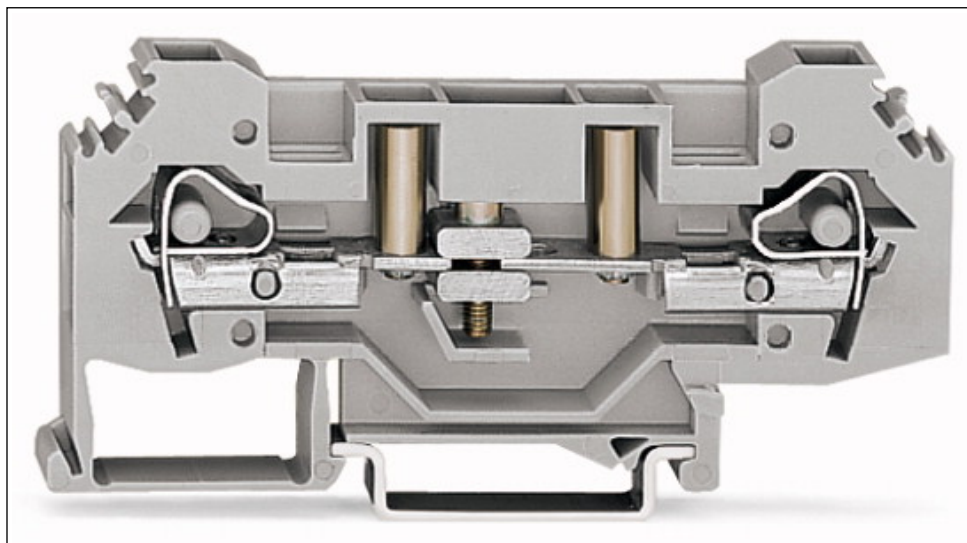
Technical data

Miscellaneous

Total number of connection points	2
Total number of potentials	1
Color	gray
Pollution degree (1)	3
Rated voltage EN (1) [V]	400 [V]
Rated surge voltage (1) [kV]	6 [kV]
Nominal current [A]	41 [A]
Connection technology (1)	CAGE CLAMP®
Solid sizes 1	0.2 ... 6 mm ² / 24 ... 10 AWG

Technical data	
<i>Fine-stranded wires 1</i>	<i>0.2 ... 6 mm² / 24 ... 10 AWG</i>
<i>Strip length 1</i>	<i>12 ... 13 mm / 0.47 ... 0.51 in</i>
<i>Type of wiring</i>	<i>Side-entry wiring</i>
<i>Design</i>	<i>horizontal</i>
<i>Marking level</i>	<i>Side marking</i>
<i>Insulating material</i>	<i>Polyamide 66 (PA 66)</i>
<i>Weight [g]</i>	<i>22.711 [g]</i>
<i>Width</i>	<i>8 mm / 0.315 in</i>
<i>Height from upper-edge of DIN-rail [mm]</i>	<i>37 [mm]</i>
<i>Height from upper-edge of DIN-rail</i>	<i>37 mm / 1.457 in</i>
<i>Length</i>	<i>87.5 mm / 3.445 in</i>
<i>Type of mounting</i>	<i>DIN 35 rail</i>

Images & drawings



Address

WAGO Kontakttechnik GmbH & Co. KG

Hansastr. 27

32423 Minden

Telefon: 0571/887-0

Fax: 0571/887-169

<http://www.wago.com>

© WAGO Kontakttechnik GmbH & Co. KG

Technische Änderungen und Irrtümer vorbehalten.