

MVP12-V, 4xM12, 4pole, M23 12pol. con. connector exit frontside

4-way, 4-pole
M23 plug connection
12-pole used

Image**Approvals****Contact layout**

Contact 1	(+)
Contact 3	(-)
Contact 4	(N/O)/(S1)
Contact 5	(Earth)
LED display	LED (green): Power LED (yellow): signal (S1)

Technical Data

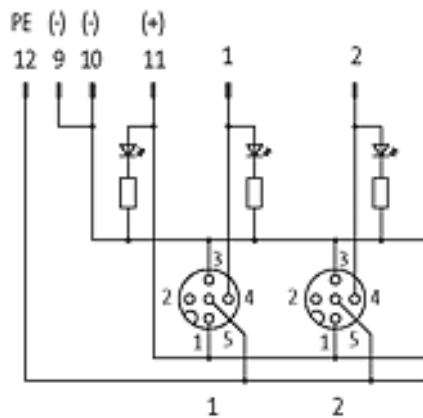
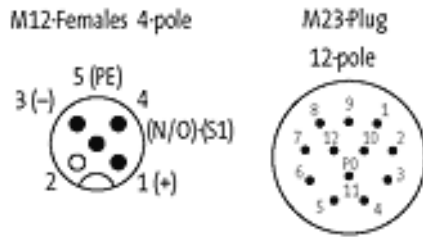
Operating voltage	24 V DC
Signal per port	1
Operating current per contact (40 °C)	max. 4 A
Total current	max. 10 A
Housing	Plastic, flame retardant
Protection	IP65, IP67
Temperature range	-20...+80 °C

All data on this data sheet was compiled carefully.

Liability regarding correctness, completeness, and actuality is limited to gross negligence. Created: 10/11

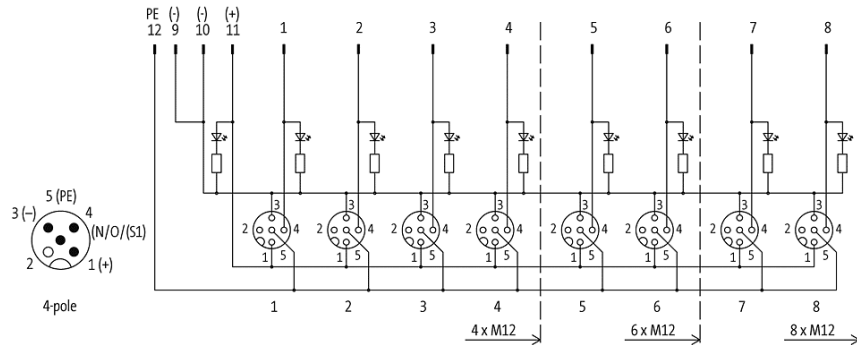
Technical data M12 port	
Locking of ports	Screw thread M12 x 1 mm
Commercial data	
Gross weight	95
Net weight	95
Weight unit	gram
Basic unit	pc.
Customs tariff number	85369010
Unit (piece)	1
Limited value	1
Accessories	Art.-No.
M12 plastic lock screw	58627
Label plate for use with MVP 17X9mm, white, 2 sets=12 pieces.	996050
Coding element PU 6 for use with MVP12 / MVP8 - plug. clamps	996054
adaptor M12 male/ M8 female 3p., seizure 1,3,4	7000-42201-0000000
Comments	
Plastic housings with good resistance against chemicals and oils. The resistance to aggressive media should be individually tested for your application. Further details on request.	

Contact layout

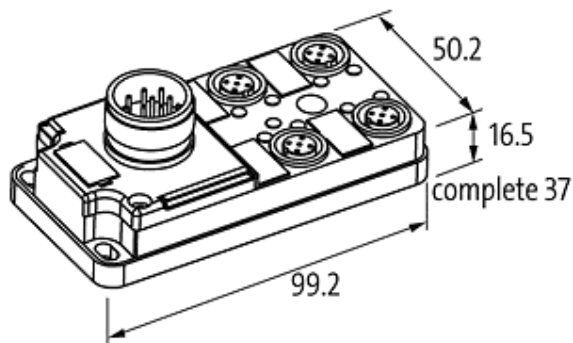


for 1 signal per port

Circuit diagram



Dimension drawing



De-rating curve

